

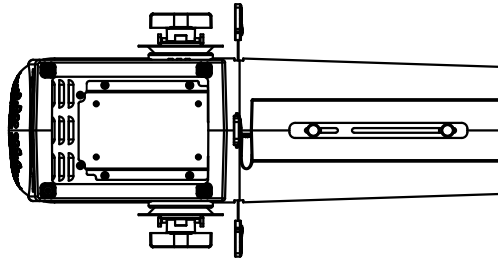
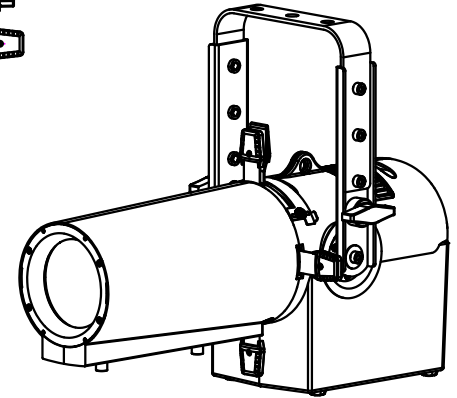
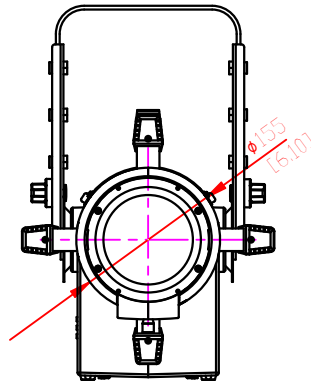
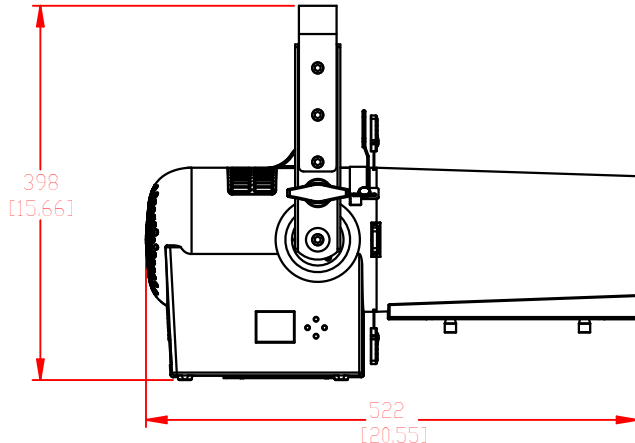
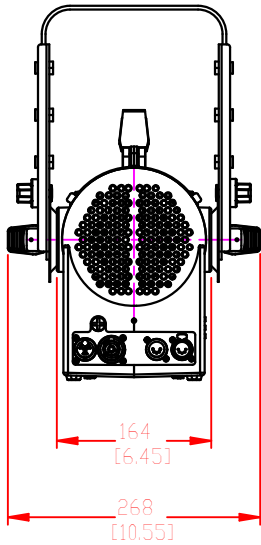
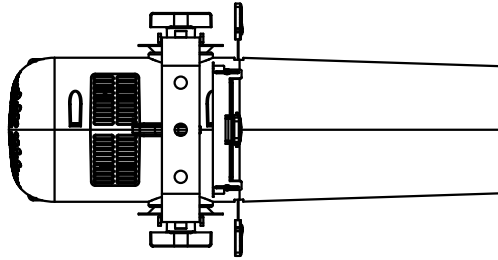
4

3

2

1

REVISIONS				
REV	EC #	DESCRIPTION	DATE	APPD
A		INITIAL RELEASE		



NEXT ASSY		TOLERANCE TABLE	N/A	VARI-LITE, LLC	
		MATERIAL		10911 RETAIL ST. DALLAS, TX 75238	
NOTICE INFORMATION AND DESIGN DISCLOSED ON THIS DOCUMENT ARE CONSIDERED PROPRIETARY AND SHALL NOT BE REPRODUCED OR DISCLOSED WITHOUT WRITTEN CONSENT. STRAND ENTERTAINMENT LIGHTING ALL RIGHTS RESERVED.		FINISH		ZOOMSPOT 3D	
				SCALE	REVISION
				D	A
				SCALE: N.T.S.	AUTOCAD LT 2017
				SHEET	1 OF 1

4

3

2

1