

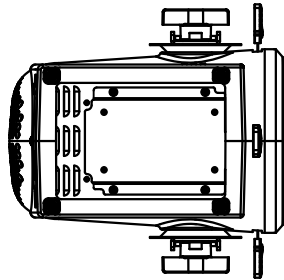
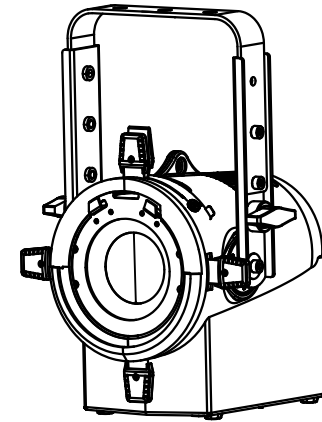
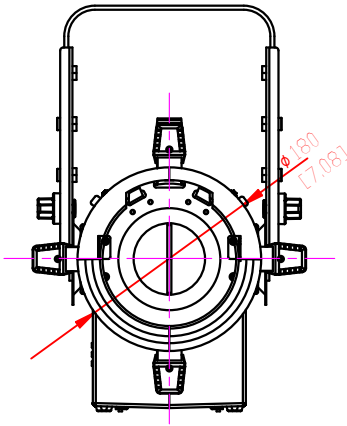
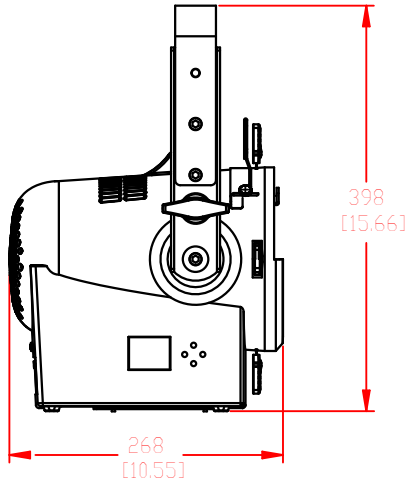
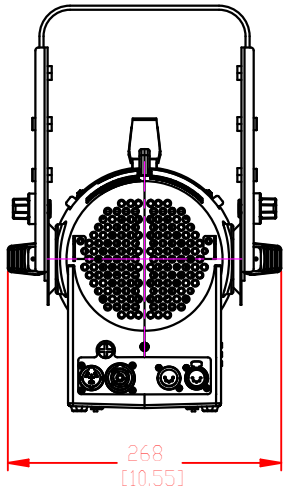
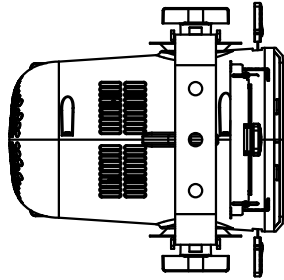
4

3

2

1

REVISIONS				
REV	EC #	DESCRIPTION	DATE	APPD
A		INITIAL RELEASE		



NEXT ASSY		TOLERANCE TABLE	N/A	VARI-LITE, LLC	
		MATERIAL		10911 RETAIL ST., DALLAS, TX 75238	
NOTICE: INFORMATION AND DESIGN DISCLOSED ON THIS DOCUMENT ARE CONSIDERED PROPRIETARY AND SHALL NOT BE REPRODUCED OR DISCLOSED WITHOUT WRITTEN CONSENT. STRAND ENTERTAINMENT LIGHTING. ALL RIGHTS RESERVED.		FINISH		PLE	
				SCALE	REVISION
				D	A
				SCALE: N.T.S.	DRAWING NUMBER
				AUTOCAD LT 2017	SHEET 1 OF 1

4

3

2

1