

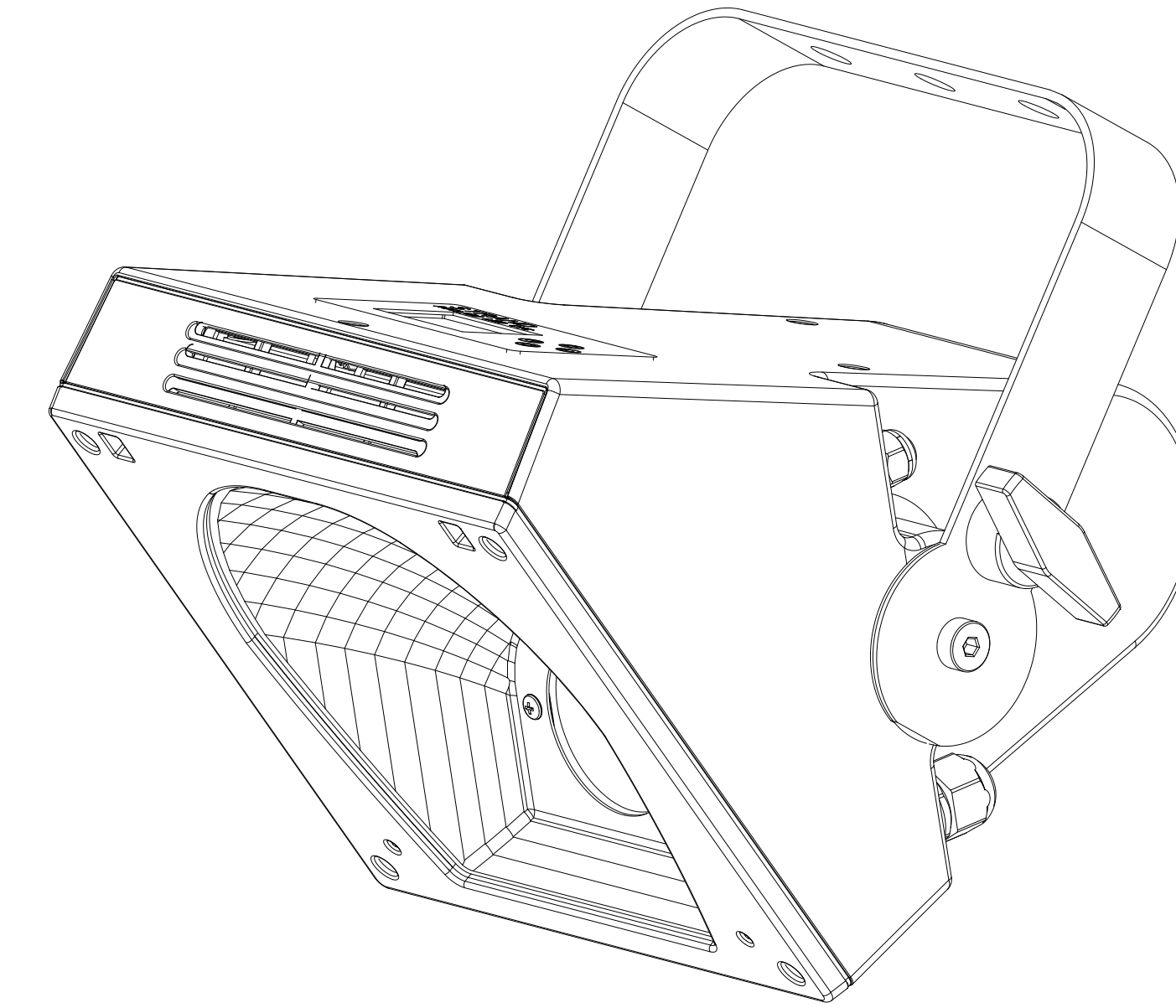
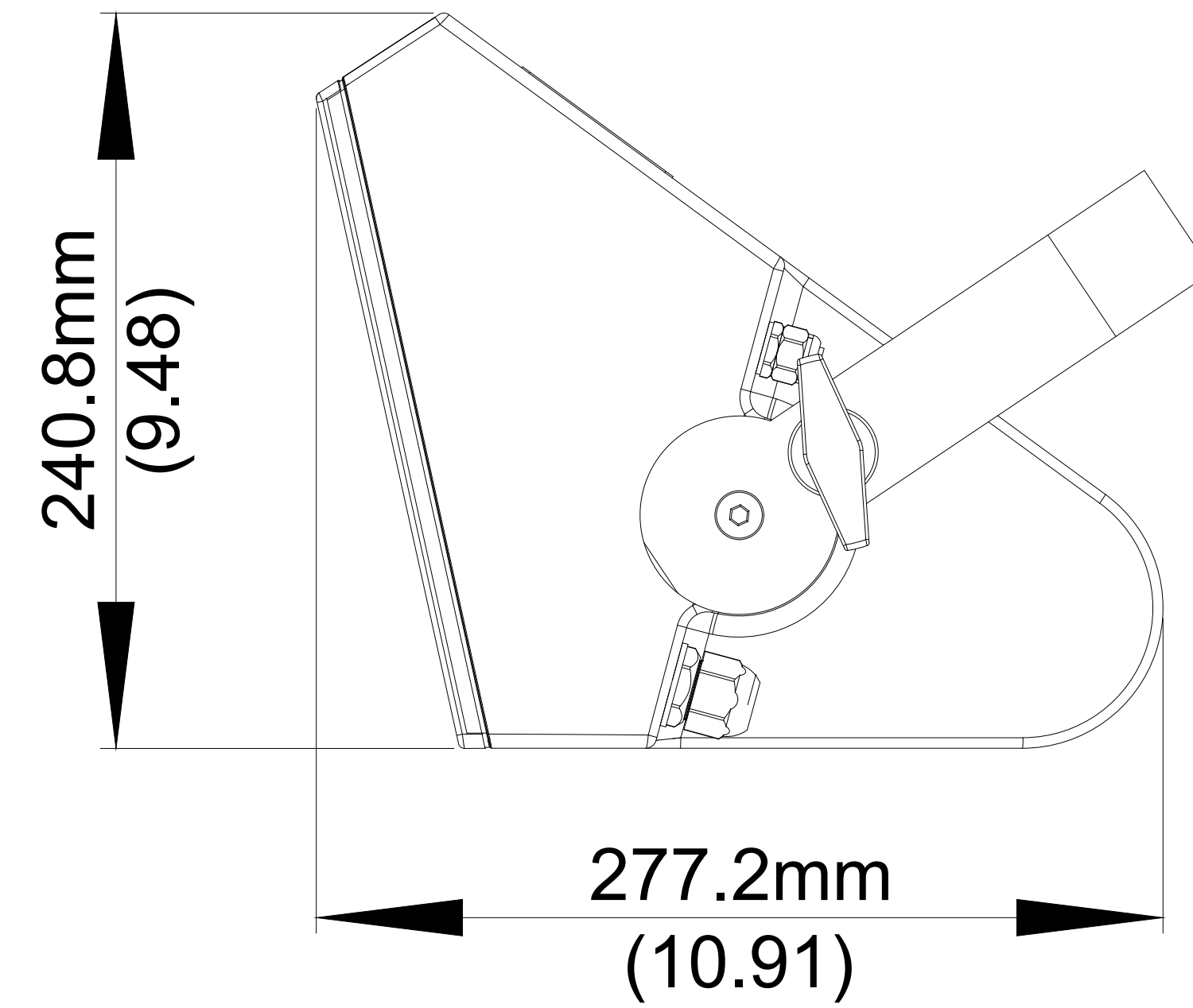
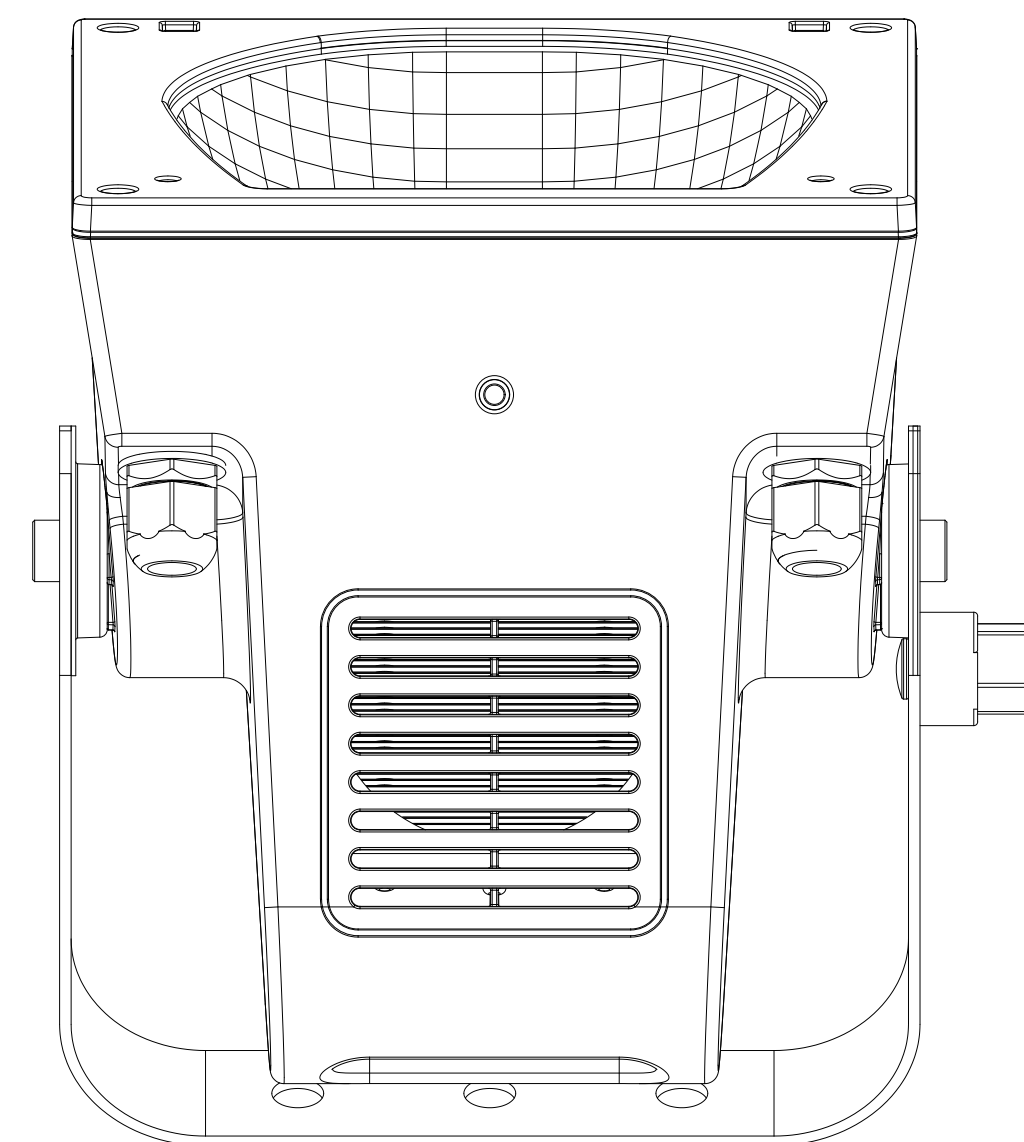
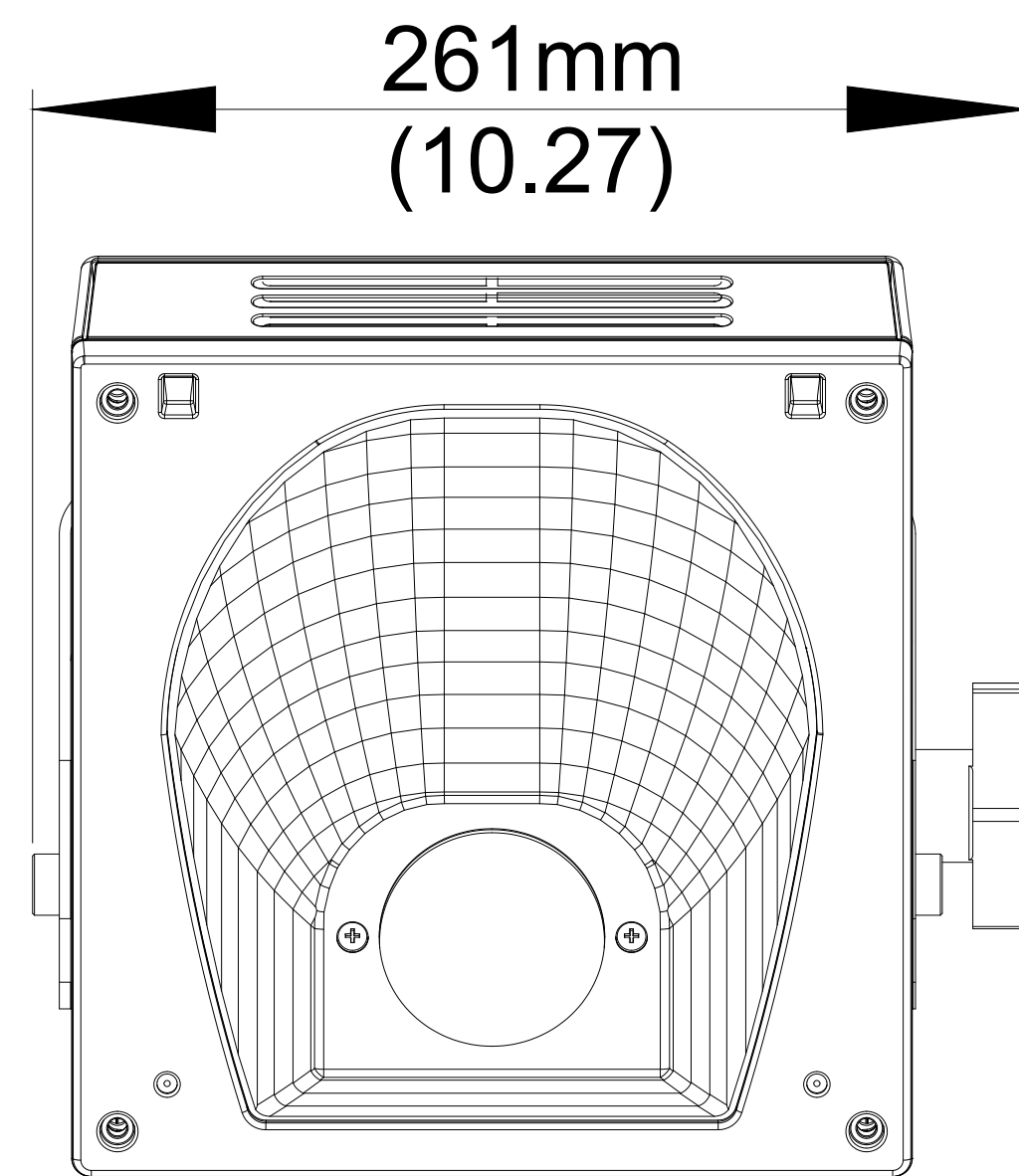
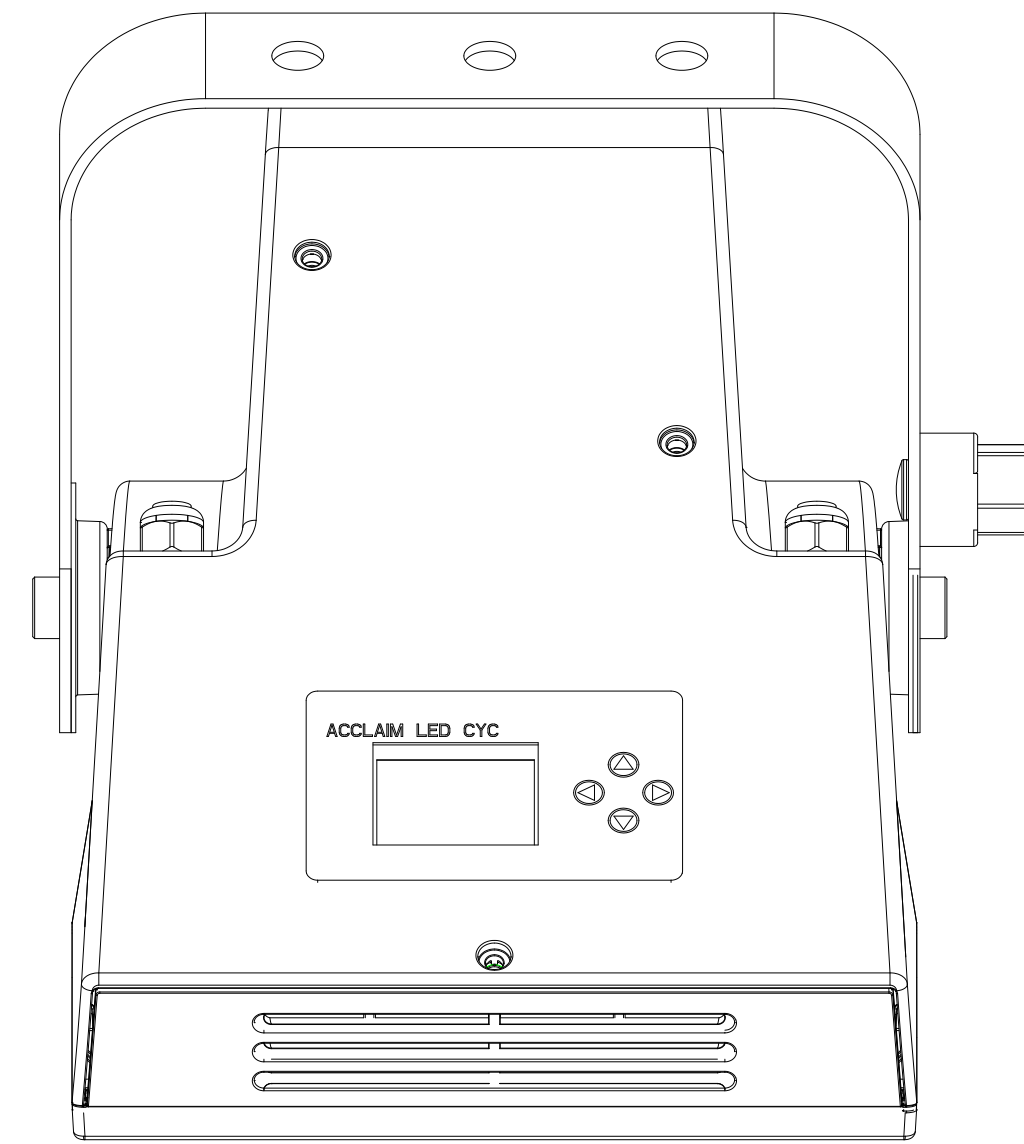
4

3

2

1

REVISIONS				
REV	EC #	DESCRIPTION	DATE	APPD
A		INITIAL RELEASE	6/1/2022	



D

C

B

A

D

C

B

A

				VARI-LITE, LLC			
				Vari-Lite, LLC. 10911 PETAL ST., DALLAS, TX 75238			
NEXT ASSY	TOLERANCE	N/A		VL-CYC150 E			
NOTICE: INFORMATION AND DESIGN DISCLOSED ON THIS DOCUMENT ARE CONSIDERED PROPRIETARY AND SHALL NOT BE REPRODUCED OR DISCLOSED WITHOUT WRITTEN CONSENT. Vari-Lite, LLC. ALL RIGHTS RESERVED.		MATERIAL	DSN BY	MATERIALS, PARTS AND PRODUCTS MUST COMPLY WITH THE ENVIRONMENTAL REQUIREMENTS OF P/N 02-9600-0001			
		FINISH		SIZE	REVISION	DRAWING NUMBER	
				B	A		
				SCALE: N.T.S.	AUTOCAD LT 2021	SHEET 1	OF 1

4

3

2

1