

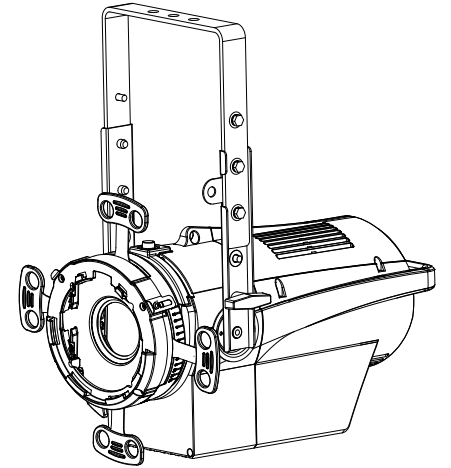
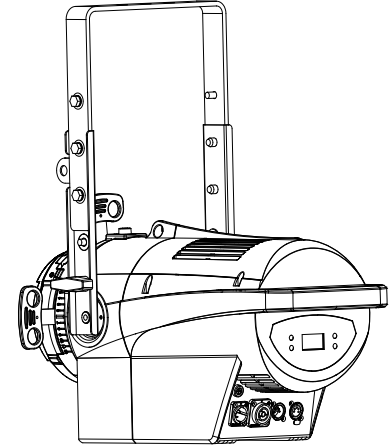
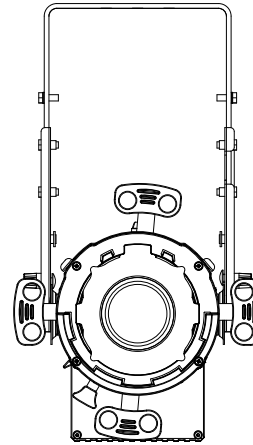
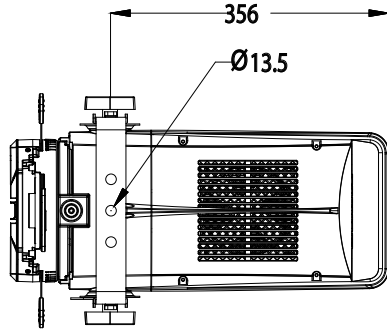
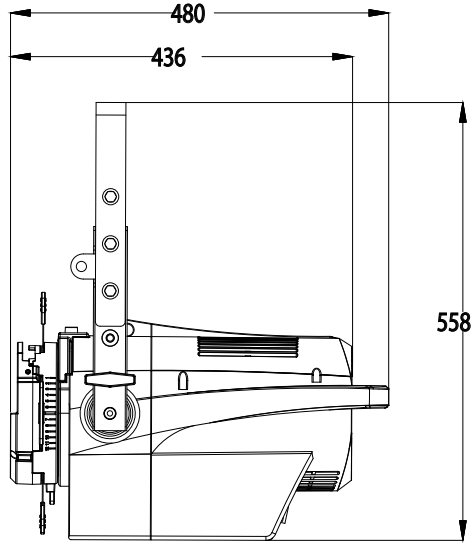
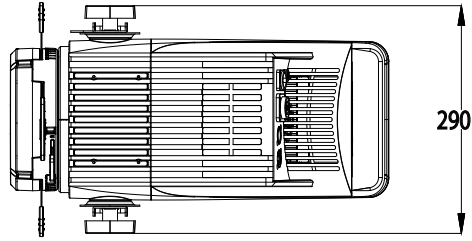
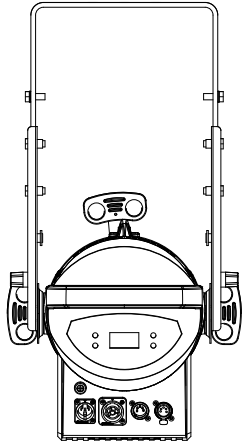
4

3

2

1

REV		EC #	DESCRIPTION	REVISIONS		DATE	APPD
A			INITIAL RELEASE				



VARI-LITE, LLC							
NEXT ASSY		TOLERANCE TABLE		N/A		10911 PEDAL ST, DALLAS, TX 75228	
NOTICE: INFORMATION AND DESIGN DISCLOSED ON THIS DOCUMENT ARE CONSIDERED PROPRIETARY AND SHALL NOT BE REPRODUCED OR DISCLOSED WITHOUT WRITTEN CONSENT. SIGNIFY ENTERTAINMENT LIGHTING ALL RIGHTS RESERVED.		MATERIAL		DSN BY		PROFILE LIGHT ENGINE, TUNABLE WHITE & FULL COLOR (RGBALC)	
		FINISH		MATERIALS, PARTS AND PRODUCTS MUST COMPLY WITH THE ENVIRONMENTAL REQUIREMENTS OF THE DRAWING		DRAWING NUMBER	
				ALL DIMENSIONS ARE IN INCHES UNLESS NOTED OTHERWISE. REMOVE ALL BURRS AND SHARP EDGES.		64505-00X	
				SCALE: N.T.S.		AUTOCAD LT 2017 SHEET 1 OF 1	

4

3

2

1