

IP IMAGE PROJECTING PROFILE, FC

Date: _____

Type: _____

Firm Name: _____

Project: _____

The Vari-Lite IP Image Projecting Profile, Full Color (FC) is a waterproof projector perfect for image projection (gobo) and creative light framing (shutters) in architectural lighting applications. The fixture's adjustable beam allows designers to fine-tune the projector's output to precisely match the surroundings, with a sturdy IP65 housing built to withstand the elements. The onboard zoom and focus can be adjusted manually or via DMX over a range of 18° to 30°, while the four-shutter framing system 'sculpts' the light to support architectural light concepts in every context. With superior optics and an optional gobo rotating / indexable gobo rotator, the IP Image Projecting Profile provides motorized rotation of gobos, giving display lighting designers superb creative freedom to project everything from images to logos and more. The Full Color version of the Vari-Lite IP Image Projecting Profile has an RGBALC (Red, Green, Blue, Amber, Lime & Cyan) color mixing system for a wide mixable color spectrum. However, thanks to Vari-Lite's exclusive SmartColor Control system, the fixture can be easily controlled with simple 3-channel CYM (Cyan, Yellow, Magenta) controls. A high output cold white (5600K) version is also available, optimized to give even greater power for long-distance projection applications.



- High output IP65 rated LED Profile - modern theatrical profile built for the outdoors.
- High CRI RGBALC Color System with SmartColor Control - wide range of vivid color options that can be programmed using CYM.
- Independent color mixing and temperature controls - match color pallet to color temperature without manual adjustment for simpler programming.

- Wide range zoom (18° to 30°) and adjustable focus can be controlled manually and/or by DMX - adjust the fixture where and how you need.
- Wire free DMX - integrated Wireless solution WDMX receiver.
- Built in short yoke adjustment - adapt to your physical space.

For detailed product information, please refer to the Product Guide at <https://www.vari-lite.com/global/products/ip-image-projecting-profile-fc>



VARI*LTE

Specifications

Due to continuous improvements and innovations, specifications may change without notice.

Source

LED	Multichromatic Light Engine - RGBALC
Source Max Power Consumption	225 W
LED Refresh Rate	12 Hz to 25kHz
Dimming	Electronic 16-bit
Dimmer Curves	Square Law (Default), Linear, S -Curve
Tungsten Fade	Selectable On/Off
Strobe Speed	0 - 30Hz
Strobe Modes	Standard, Lightening, Random

Optical Performance

Lens Size	145 mm (5.7 in)
Beam Angle	18 - 30°
Zoom Control	Manual & Motorized DMX controlled
Focus	Manual & Motorized DMX controlled
Output Lumens	8000
Smart Color CCT	1800 K to 10000 K
CRI RA	> 96
CRI R9	96
Tm30	Rf 94 / Rg 104
TLCI	94

Color System

Color Mixing	RGBALC
Color Mixing Control	Smart Color, Open Source or Quick Color
Color Calibration	Selectable On/Off
Color Mixing Control Option	Color Snap On/Off On reduces auto smoothing color to create faster color changes
Variable CTO	1800 K to 10000 K (Smart Color Mode)
Color Presets	32 Calibrated Colors
User Definable Color Presets	20

Imaging

Shutter	4 blade shutter manual operation
---------	----------------------------------

Electrical

Max output Power Consumption	234 W @ 120 V, 230 W @ 240 V
Power Connection	TrueOne Compatible Tail - In IP65 TrueOne compatible input connector included
Input Voltage	100–240 VAC, 50 / 60 Hz

Data

Supported Protocols	DMX512-A (RDM)
DMX Modes	
Smart Color Control (default)	19 Channels
Q Color Mode	10 Channels
Open Color Control	23 Channels
Data Connections	5 - Pin XLR Input and Thru tails
Manual Preset Mode	Advanced Feature local control

Noise Level / Fan Control (Base Level 30 dB @ 1 m (3.3 ft))

Standard Mode	39 dB
Fan Mode	Continuous (On) / Auto Ramping
Cooling System Type	Hybrid sealed liquid and forced air system

Mounting

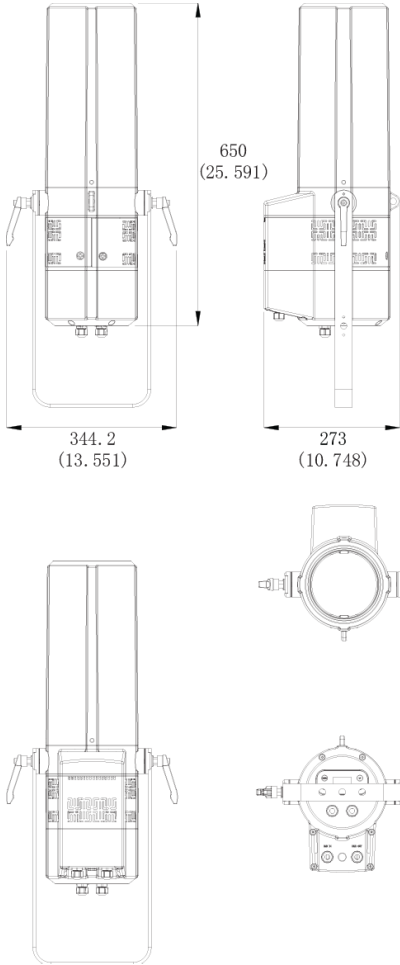
Yoke	Double clutch locking yoke >270° Swivel Yoke M12 (1/2") Centre hole
Fixture mounting/Hanging orientation	Hanging - Floor - Side
Secondary Safety Wire Point	1 x Safety point located on rear of fixture housing Safety Wire not included

Photometrics and IES Files

Narrow @ 5 m / 16.4 ft	4,226 lux (393 fc)
Mid @ 5 m / 16.4 ft	2,217 lux (206 fc)
Wide @ 5 m / 16.4 ft	1,508 lux (140 fc)
Narrow @ 10 m / 32.8 ft	1,057 lux (98 fc)
Mid @ 10 m / 32.8 ft	555 lux (52 fc)
Wide @ 10 m / 32.8 ft	375 lux (35 fc)

For IES files and photometric reports, please refer to the product page:
<https://www.vari-lite.com/global/products/ip-image-projecting-profile-fc>

Dimensions



Physical

Construction	Superstructure made of Aluminum, and steel metal plates, Covers Aluminum
IP Rating	IP65
Standard Finish	Black, White
Dimensions	344 x 648 x 273 mm (14.0 x 26.0 x 11.0 in)
Packed Dimensions	942 x 410 x 360 mm (37.0 x 16.0 x 14.0 in)
Fixture Weight	16.0 kg (35.0 lb)
Packed Weight	20.0 kg (44.0 lb)
Operating Temperature	-20-45°C (-4-113°F)

Certification and Safety

Approbations	CE, ETL, UL, FCC CSA, RoHS, ISO 9001
--------------	--------------------------------------

Gobo and Effect Wheels

Gobo Gate	M size, glass or metal (holder optional accessory)
Gobo Size	M

Luminaire and Accessories

Product type	Order Code
IP IMAGE PROJECTING PROFILE, Full Color, Black	64506-002
IP IMAGE PROJECTING PROFILE, FC, 225w Multichromatic Light Engine - RGBALC, c/w Power input connector, Black	
IP IMAGE PROJECTING PROFILE, Full Color , White	64506-102
IP IMAGE PROJECTING PROFILE, FC, 225w Multichromatic Light Engine - RGBALC, c/w Power input connector, White	
<hr/>	
Accessories	
IP IMAGE PROJECTING PROFILE ROTATING GOBO HOLDER (M Size)	64506-003
IP IMAGE PROJECTING PROFILE ROTATING GOBO HOLDER M SIZE GLASS OR METAL (Gobo not included)	



© 2024 Signify Holding. All rights reserved. All trademarks are owned by Signify Holding or their respective owners. The information provided herein is subject to change, without notice. Signify does not give any representation or warranty as to the accuracy or completeness of the information included herein and shall not be liable for any action in reliance thereon. The information presented in this document is not intended as any commercial offer and does not form part of any quotation or contract, unless otherwise agreed by Signify. Data subject to change.