

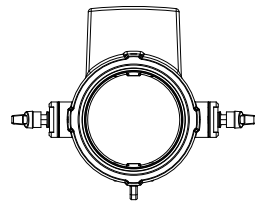
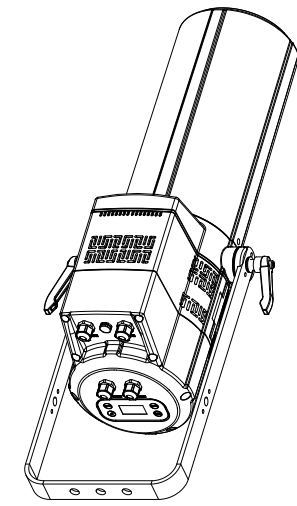
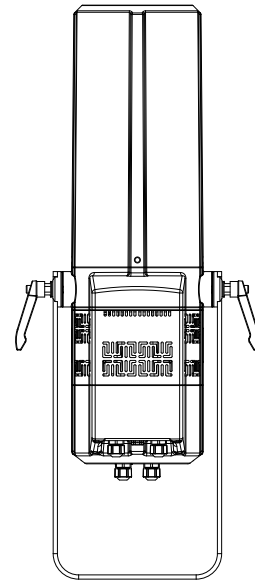
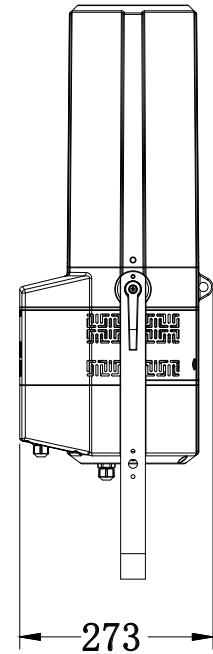
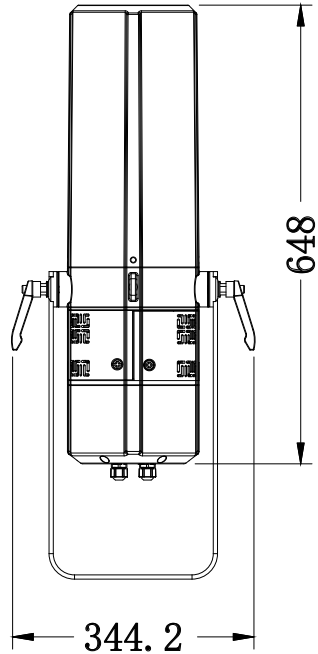
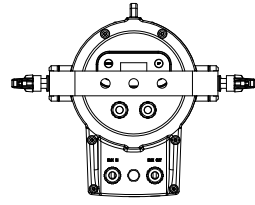
4

3

2

1

REV		EC #	DESCRIPTION	REVISIONS	DATE	APPD
A			INITIAL RELEASE			



VARI-LITE, LLC									
NEXT ASSY		TOLERANCE TABLE		N/A		10911 PETAU ST, DALLAS, TX 75238			
NOTICE: INFORMATION AND DESIGN DISCLOSED ON THIS DOCUMENT ARE CONSIDERED PROPRIETARY AND SHALL NOT BE REPRODUCED OR DISCLOSED WITHOUT WRITTEN CONSENT. SIGNIFY ENTERTAINMENT LIGHTING ALL RIGHTS RESERVED.		MATERIAL		FINISH		DESIGNED BY: DRAWN BY: CHECKED BY: ALL DIMENSIONS ARE IN INCHES UNLESS NOTED OTHERWISE. REMOVE ALL BURRS AND SHARP EDGES.		IP IMAGE PROJECTING PROFILE, COLD WHITE / FULL COLOR	
		DRAWING NUMBER:		SCALE:		SHEET		1 OF 1	
		SIZE		REVISION		DRAWING NUMBER:		64506-XXXX	
		D		A		SCALE: N.T.S.		AUTOCAD LT 2017	

4

3

2

1