

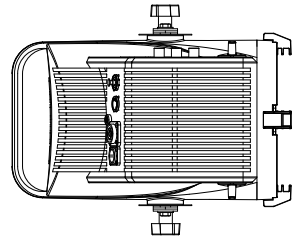
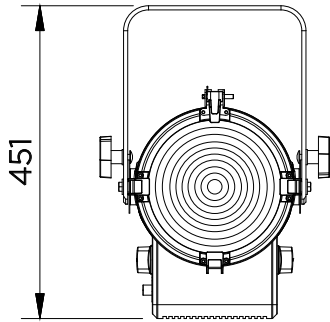
4

3

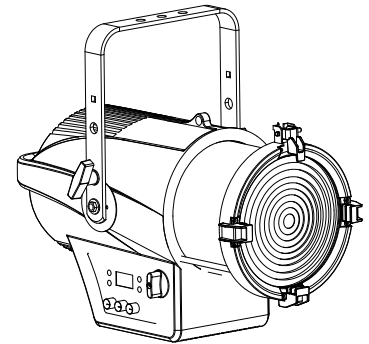
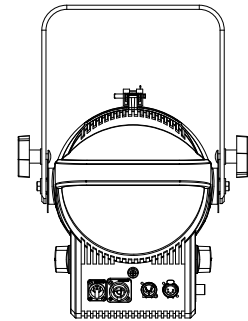
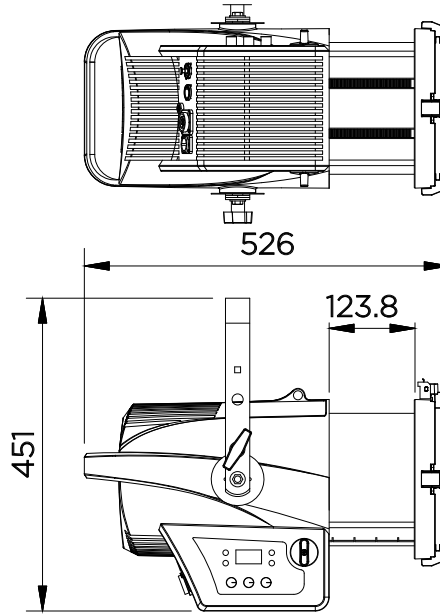
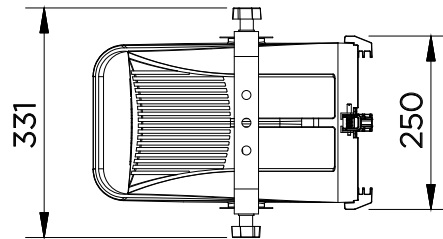
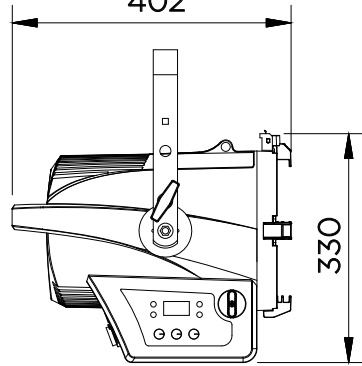
2

1

REVISIONS			DATE	APPD
REV	EC #	DESCRIPTION		
A		ANITAL RELEASE		



402



NEXT ASSY		TOLERANCE TABLE	N/A	VARI-LITE, LLC		
NOTICE: INFORMATION AND DESIGN DISCLOSED ON THIS DOCUMENT ARE CONSIDERED PROPRIETARY AND SHALL NOT BE REPRODUCED OR DISCLOSED WITHOUT WRITTEN CONSENT. SIGNIFY ENTERTAINMENT LIGHTING ALL RIGHTS RESERVED.		MATERIAL	FINISH	SIGNIFY ENTERTAINMENT LIGHTING 10911 PETAL ST, DALLAS, TX 75228		
		MATERIALS, PARTS AND PRODUCTS MUST COMPLY WITH THE ENVIRONMENTAL REQUIREMENTS OF 29 CFR 1910.101		FRESNEL, TUNABLE WHITE & FULL COLOR		
		ALL DIMENSIONS ARE IN INCHES UNLESS NOTED OTHERWISE. REMOVE ALL BURRS AND SHARP EDGES.		SIZE	REVISION	DRAWING NUMBER
				D	A	64507-XXX
				SCALE:	N.T.S.	AUTOCAD LT 2017 SHEET 1 OF 1

4

3

2

1