

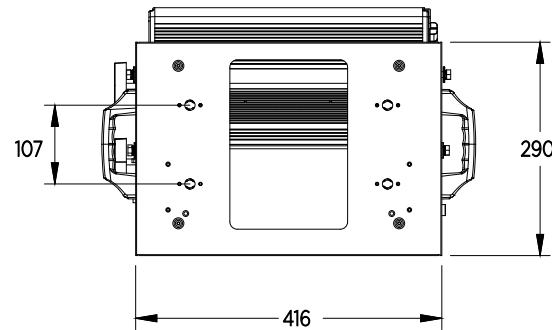
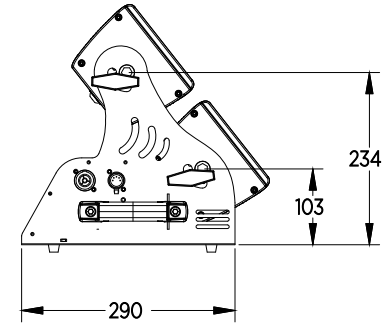
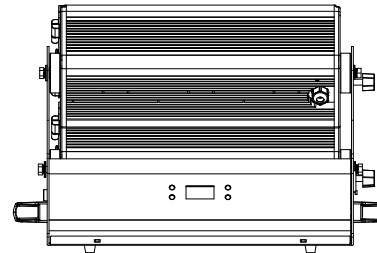
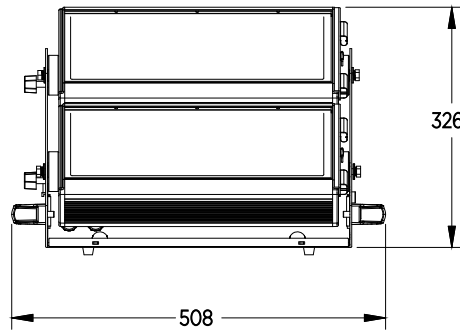
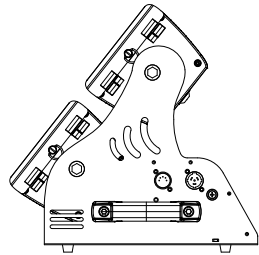
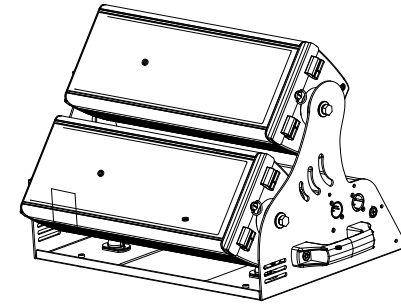
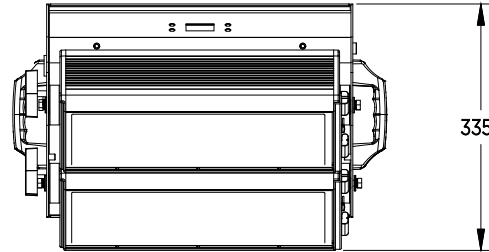
4

3

2

1

REVISIONS			DATE	APPD
REV	EC #	DESCRIPTION		
A		INITIAL RELEASE		



				VARI-LITE, LLC		
NEXT ASSY		TOLERANCE TABLE	N/A	10911 PETAL ST., DALLAS, TX 75238		
NOTICE: INFORMATION AND DESIGN DISCLOSED ON THIS DOCUMENT ARE CONSIDERED PROPRIETARY AND SHALL NOT BE REPRODUCED OR DISCLOSED WITHOUT WRITTEN CONSENT. SIGNIFY ENTERTAINMENT LIGHTING ALL RIGHTS RESERVED.		MATERIAL	DSN BY	CODA CYC, FULL COLOR MIXING		
		FINISH	DRAWN BY			
		MATERIALS, PARTS AND PRODUCTS MUST COMPLY WITH THE ENVIRONMENTAL REQUIREMENTS OF PIN 02/2600/001		SIZE	REVISION	DRAWING NUMBER
		ALL DIMENSIONS ARE IN INCHES UNLESS NOTED OTHERWISE. REMOVE ALL BURRS AND SHARP EDGES.		D	A	64509-001
				SCALE:	N.T.S.	AUTOCAD LT 2017 SHEET 1 OF 1

4

3

2

1