

VARI***LITE**

VL6500 WASH



The Vari-Lite VL6500 WASH takes the big picture appeal and stand-out power of the VL6000 Beam and adds full color mixing and a versatile 6-16° beam diffusion. The most distinctive aspect of this fixture is Vari-Lite's iconic Dichro*fusion radial diffusion system. The distinctive blades bring back a classic look that has been beloved by lighting professionals since the days of the legendary VL5 and Series 500 luminaires.

With its CYM+CTO system and fixed color wheels, the VL6500 WASH combines dynamic color effects and crossfades with a broad beam spread, high output and head-turning heritage. From narrow shafts to wide area washes, the VL6500 WASH delivers powerful visual impact—all in glorious Vari-Lite color.

VARI***LITE**

VL6500 WASH

FEATURES AND BENEFITS

- **50,000+ lumen output wash fixture** - high-output wash of a large area with a single fixture from further away.
- **Matching large aperture and color control presets as the VL6000 BEAM** - get a consistent visual experience when both fixtures are used together
- **Dichro*fusion blades with variable beam width** - vintage styling reminiscent of the legendary VL5. Strong visual element on stage that radiates the beautiful colors created by the VL6500's innovative color system.
- **Color control system with 2 static color wheels and full CYM+CTO color mixing** - variable color mixing with saturation control, offering numerous vivid and creative color options.
- **Extended color range mode** - optional color range mode with 0% - 100% - 0% saturation range that moves beyond full saturation back to open. Offers ability to easily create split colors in the beam for creative color effects, both in air and on the Dichro*fusion blades.

VARI***LITE**

VL6500 WASH

SOURCE

| | |
|----------------------|--------------------------------|
| Type | Philips 1500W FastFit MRS Lamp |
| Wattage | 1500W |
| Source lumens | 130,000lm |
| Source CCT | 7,000K |

OPTICAL PERFORMANCE

| | | |
|----------------------|------------|--------------------|
| Output lumens | >50,000 | |
| Output CCT | 6500K | |
| | lux | foot-candle |
| Narrow @5m | 176,140 | 16,363 |
| Widest @5m | 12,700 | 1,179 |
| Narrow @10m | 44,035 | 4,090 |
| Widest @10m | 3,175 | 295 |

BEAM

| | |
|---------------------|-----|
| Narrow angle | 6° |
| Widest angle | 16° |

COLOR SYSTEM

| | |
|-------------------------------------|---------------------|
| Color mixing system | CYM |
| Color temperature control | variable 3800-6500K |
| Fixed color x2 | 6+ open (2 wheels) |
| Color presets | 55 |
| Color preset control | CTG system |
| Enhanced range color control | Yes |

MOVEMENT

| | |
|----------------------|-------------------|
| Summary | 540° / 208° (P/T) |
| Speed summary | 3s / 3s |

POWER

| | |
|------------------------|-------------------|
| Range | 200-264 VAC input |
| Power in / thru | no thru |
| Connector type | PowerCon True1 |
| Max wattage | 1750W |

VARI*LITE

VL6500 WASH

DATA CONNECTIONS

| | |
|-------------------|-------------------|
| DMX (RDM) | 20 channel |
| Standalone | Cloud search mode |

PHYSICALS

| | |
|---------------------|--|
| Finish | Black |
| Construction | Metal frame, engineered plastic covers |

DIMENSIONS

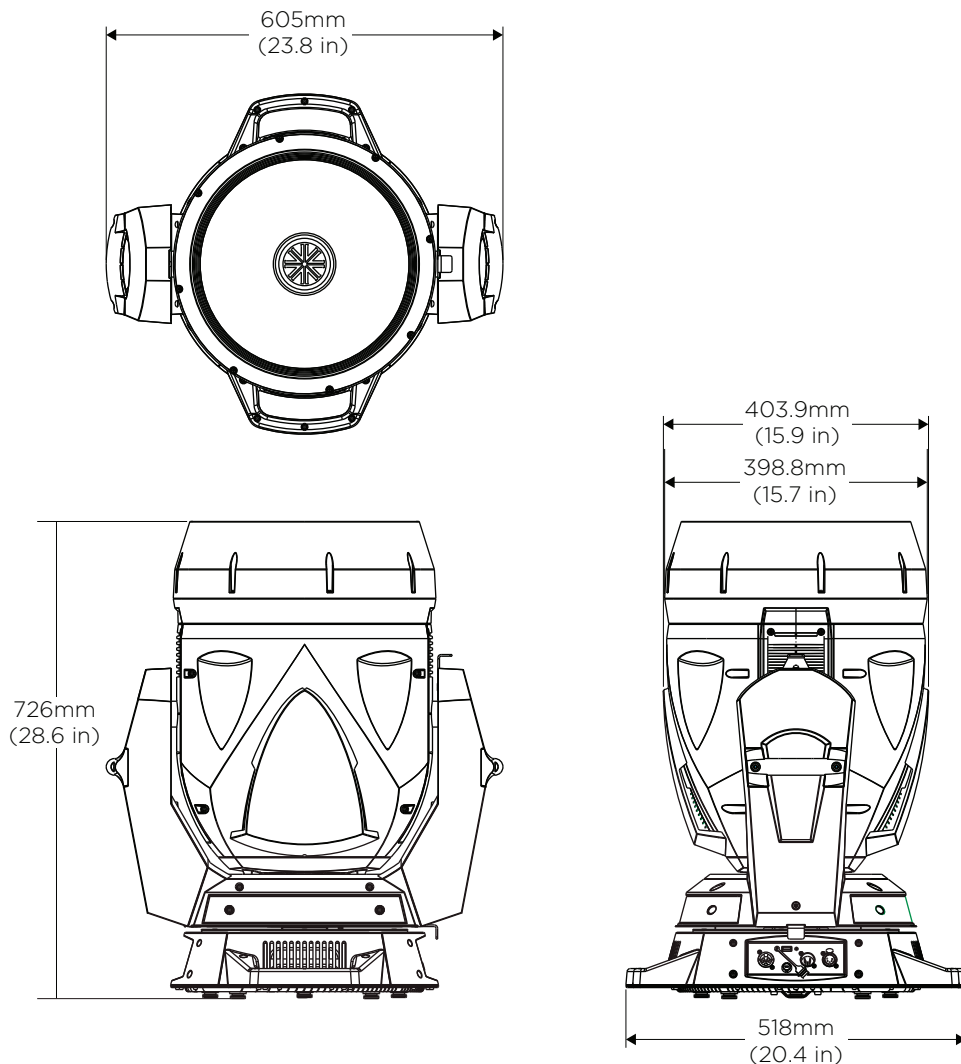
| | mm | in |
|------------------------|-----------------|--------------------|
| H x W x L | 727 x 604 x 518 | 28.6 x 23.8 x 20.4 |
| Hanging centers | 711 | 28 |

WEIGHT

| | kg | lb |
|---------------|-------|----|
| Weight | 29.94 | 66 |

WARRANTY & APPROBATIONS

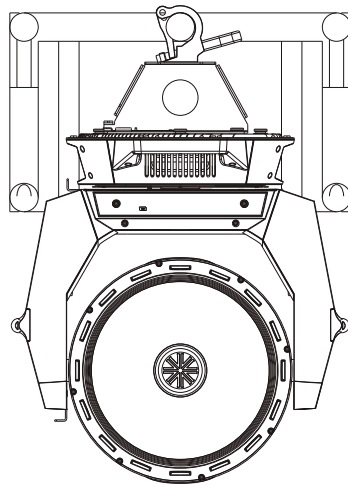
| | |
|----------------------------|--------------------------------------|
| Warranty | 2 years |
| Approval / listings | CE, ETL, UL, FCC CSA, RoHS, ISO 9001 |



VARI*LITE

VL6500 WASH

| PRODUCT NAME | ORDER CODE |
|---------------------------|---------------------|
| VL6500 Wash | 22.9708.4001 |
| Luminaire programming kit | PEGASUS |
| GT truss hook | 22-9708-0835 |



VL6500 WASH fitted with optional GT truss hook

©2019 Signify Holding. All rights reserved.

All trademarks are owned by Signify Holding or their respective owners. The information provided herein is subject to change, without notice. Signify does not give any representation or warranty as to the accuracy or completeness of the information included herein and shall not be liable for any action in reliance thereon. The information presented in this document is not intended as any commercial offer and does not form part of any quotation or contract, unless otherwise agreed by Signify. Data subject to change.

Ref: 22.9708.4001-100-v00