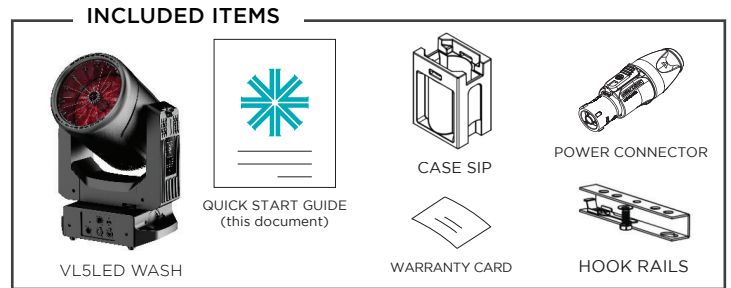


# VL5LED WASH

This document provides basic setup instructions and safety warnings for the following product(s):

91200545005	VL5LED WASH
-------------	-------------

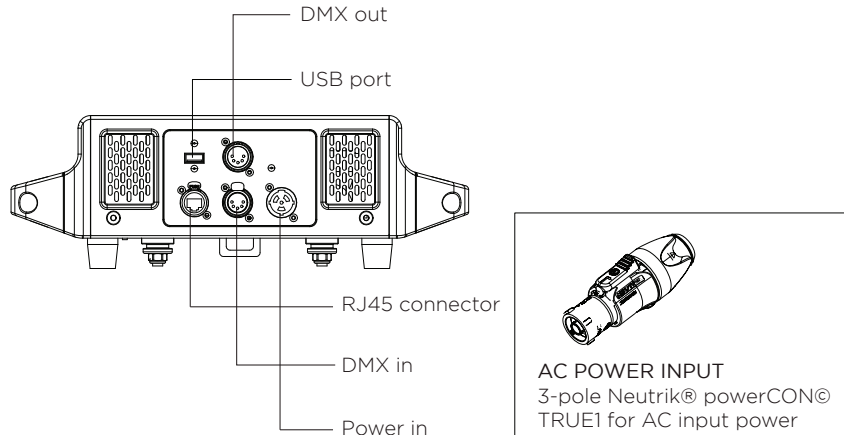


## POWER AND DATA

### CONNECTING POWER

The luminaire requires standard AC power distribution from 100-240 VAC, 50/60 Hz. Current required depends on the AC supply voltage and product model.

**NOTE:** The mating power connector is supplied; however, you need to purchase or construct a cable appropriate for your application.



**FIGURE 1. POWER CONNECTOR**

Depending on the application, the luminaire’s AC input cable may require a different connector. If required, install a new connector meeting your requirements using the included wire color code reference.

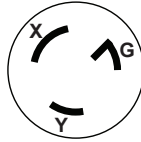
WIRE*	CONNECTION
green	Ground (earth)
white	AC neutral
black	AC line

\*International (harmonized) standard

**WARNING!** DO NOT connect to three-phase service in countries with 240 volt power.

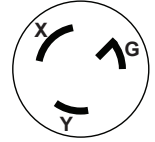
For single-phase power at 208–240V RMS:

CONNECTION	PIN
AC neutral	X
AC line	Y
Ground (earth)	G



For three-phase power at 208V RMS:

CONNECTION	PIN
Phase 1	X
Phase 2	Y
Ground (earth)	G



**WARNING!** It is not recommended to power any Vari-Lite luminaire from a dimmer - even in 'NONDIM' mode. Dimmer and non-dim modules are not suitable sources of power because their output modifies the AC wave form. This may work for a short time, but will eventually result in power problems, luminaire mis-operation and/or failure and may void the luminaire's warranty.

## CURRENT VS. VOLTAGE

### AC POWER OPERATION

When connected to an AC source, the unit operates on 120 to 240 volts AC ( $\pm 10\%$ , auto-ranging). The luminaire contains an auto-ranging power supply. Each luminaire can draw up to 1000 Watts.

**WARNING!** It is the responsibility of the user to adequately protect supply source with a correct size and type circuit breaker and not overload circuits.

#### POWER REQUIREMENTS\*

VOLTAGE	POWER	CURRENT	CAPACITANCE
108V at 60Hz	1131W	10.52A	0.995pF
120V at 60Hz	1122W	9.405A	0.993pF
230V at 50Hz	1088W	4.853A	0.975pF
264V at 50Hz	1083W	4.243A	0.967pF

\*Standard AC power distribution from 120-240 V, 50/60Hz

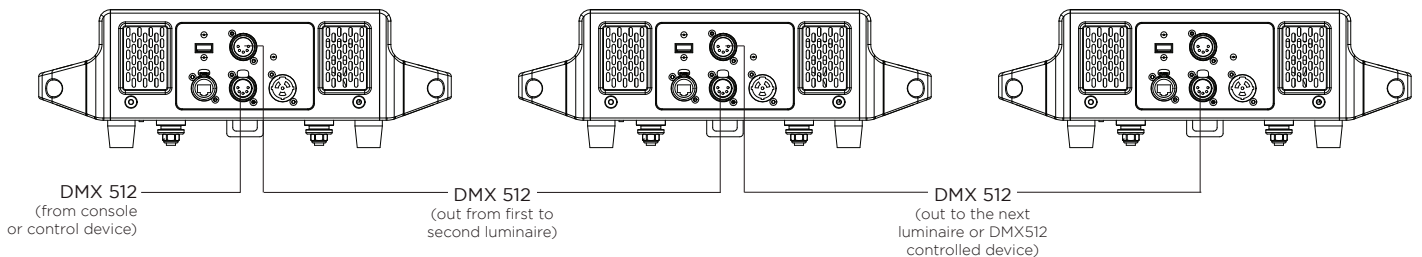
## CONNECTING DATA

A maximum of 32 luminaires may be connected in any one DMX data link.

**NOTE:** This maximum limit applies to the luminaire "daisy chain" only. Your system or console may require fewer luminaires on a single data link path. Consult your console documentation for more information.

### To connect power and data:

- Step 1. Connect data cable from console to first luminaire in chain at DATA IN connector.
- Step 2. If required, connect additional data cables from DATA THRU connectors to DATA IN
- Step 3. At last luminaire in link, install male termination connector at DATA THRU connector. (Luminaires and other devices on the same DMX chain may not function properly without termination)



**FIGURE 2. DATA LINK**

- Step 4. Connect AC Input Cable connector to power input source.
- Step 5. Dress AC input and data cables and secure them so that they will not interfere with luminaire head and yoke movement.

# INSTALLATION

## FLOOR MOUNTING THE LUMINAIRE

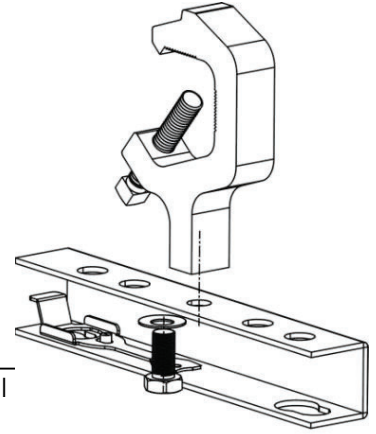
This luminaire included in this manual are designed to sit directly in a floor installation application. When used in this type of application, be sure to leave enough space around the luminaire to allow proper, uninterrupted airflow for cooling and movement.

## HANGING THE LUMINAIRE

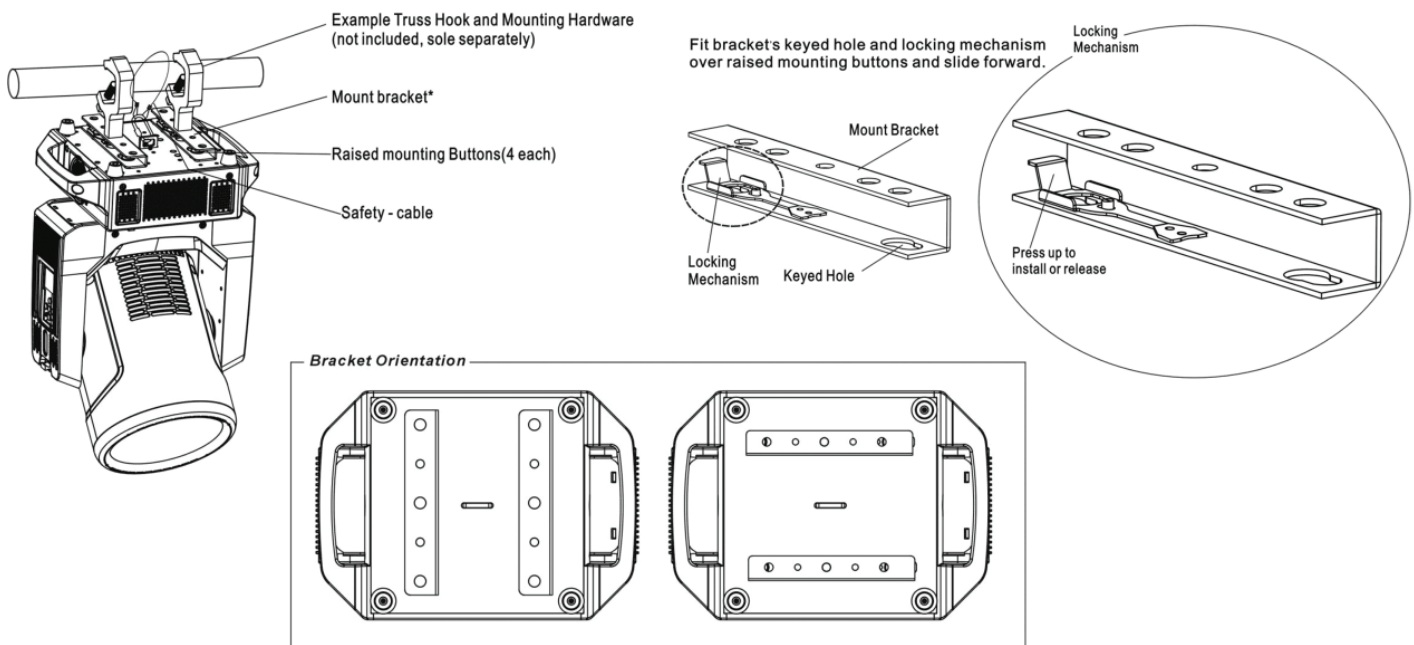
The VL5LED WASH can be hung horizontally or vertically from any structure designed to work with the type of load created by this moving luminaire. Two mounting truss hooks or other mounting hardware are required. Many compatible truss hooks are available from different manufacturers for your particular needs. A minimum of two hooks per luminaire is required. If mounting method does not use truss hooks, two attachment points, per luminaire, are required.

### To install mounting hardware and brackets:

Step 1. Install truss hooks on two provided truss hook brackets as required as shown.



**NOTE:** Various types of truss hooks can be used. The Clamp (as shown) as well as many other standard hooks, can be ordered separately.



Step 2. Determine required configuration of bracket installation. Brackets may be installed in many different orientations as shown in Figure 5.

Step 3. While pulling up on locking mechanism release, fit keyed holes onto raised mounting buttons at bottom of enclosure. Slide forward and release locking mechanism to lock in place. Ensure brackets are locked securely.

**WARNING!** Ensure that the bracket locking mechanism is fully seated after the bracket is installed on the luminaire.

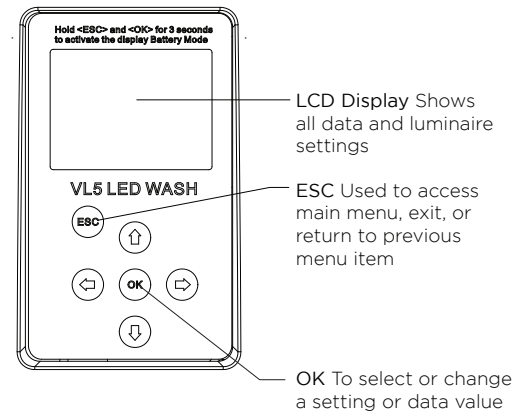
# MENU OPERATION

## LCD DISPLAY AND MENU SYSTEM

The VL5LED Wash Luminaire's LCD Display and Menu System provide local control for accessing the following fixture's settings:

- Address – to set the DMX address
- Configure – various parameter settings, set LED, movement, display, reset defaults
- DMX – change the map, set address,
- Fixture – fixture status, ReCal, reboot, software version, view fixtures hours, crossload, service
- Test – to test functions of parameters
- Manual – to set the intensity, all functions

The menu system is controlled at the Menu Display available at the enclosure input panel. If there are multiple luminaires in a system, any settings or changes would need to be made at each LCD Menu as desired.



## MENU CONTROLS

The menu system is controlled by an [ESC], [OK] and four Arrow (▲▼◀▶) buttons.

## MENU OPERATION

The LCD Display Menu system consists of several categories. Use the Menu Buttons to access and make changes to the menu items. When the desired menu item is reached, press the desired Menu Button to display the menu options and to navigate and configure the menu options as required.

### To navigate and access menu setting/selections:

- Step 1. Make sure unit is powered and turned on.
- Step 2. Press [ESC] to access menu categories.
- Step 3. Use four Arrow (▲▼◀▶) buttons to navigate through the various options and settings.
- Step 4. Once menu item is reached, press [OK] to access the menu item parameters.
- Step 5. Make changes to parameters as desired.
- Step 6. Press [OK] button to accept changes.

## OTHER LCD DISPLAY FEATURES

### LCD MENU BATTERY OPERATION

The LCD menu system utilizes a battery powered system for operation when the luminaire is not connected to power. The primary purpose of this mode is to allow basic setup and configuration of the luminaire.

### To enable the battery operation of the menu system:

- Step 1. Press + three seconds to activate display!
- Step 2. Once enabled, the menu will function as normal with only the following sub-menu sections active:
  - Address
  - Configure
  - DMX
  - Fixture

---

**NOTE:** Any commands that require full power (calibrate, etc.) will be ignored while the menu system is in battery operation mode.

---

- Step 3. To exit battery mode, press [ESC] + [OK] for three seconds.

## STATUS BAR

The Status Bar is present at all times and displays luminaire operational information of the luminaire. The Status Bar contains the following information:

- **ERRORS** – Displays a number indicating the total amount of current errors. When errors are present, messages will appear in Red text. When no errors are present, NO will display.
- **LAMP** – LED on or off
- **MAP** – Displays the current DMX map mode setting. 16E--16-bit Enh Mode;16–16 bit Mode
- **ADDR** – Displays the current DMX address for the fixture. NOTE, when the fixture does not detect a DMX input signal, the DMX address text will display in Red text.



## QUICK REFERENCE DMX MAP

**TABLE 1. 16-BIT ENHANCED DMX CHANNELS**

DMX CHANNEL	DESCRIPTION	DMX CHANNEL	DESCRIPTION
1, 2	Intensity	24	Programmers channel
3, 4	Pan	25	Focus timing
5, 6	Tilt	26	Color timing
7	Zoom	27	Beam timing
8, 9	Red	28	Control channel
10, 11	Green	29	Intensity blades
12, 13	Blue	30	Blade light color preset
14, 15	Amber	31	Blade Light - macro effects
16, 17	Lime	32	Blade light effects fade time
18, 19	Cyan	33	Blade light effects speed
20	Color preset	34	Blade LED Red (1*)*blade 1 of 16 group
21	Frost	35	Blade LED Green 1*)*blade 1 of 16 group
22	Strobe / shutter	36	Blade LED Blue (1*)*blade 1 of 16 group
23	Fan control		

## COMPLIANCE

This equipment has been tested and found to comply with the limits for a Class A digital device pursuant to Part 15 of FCC Rules. These limits are designed to provide reasonable protection against harmful interference when this equipment is operated in a commercial environment. This equipment generates, uses, and can radiate radio frequency energy and, if not installed and used in accordance with Vari-Lite system, service, and safety guidelines, may cause harmful interference to radio communications. Operation of this equipment in a residential area is likely to cause harmful interference, in which case the user will be required to correct the interference at his/her own expense.

## DECLARATION OF CONFORMITY

We declare, under our sole responsibility, that this product complies with the relevant clauses of the following standards and harmonized documents:

### SAFETY

EN 60598-1:2015 + A1:2018;  
EN 60598-2-17:2018;  
EN 60598-2-4:2018;  
EN 62493:2015;  
EN 62471:2008;  
EN 62031: 2008 + A1: 2013 + A2: 2015;  
EN 61347-2-11:2001;  
EN 61347-1:2015 Low Voltage Directive 2014/35/EU

### EMC

EN 55032:2015  
EN 55103-2: 2009  
EN 61000-3-2:2014  
EN 61000-3-3:2013  
EN 55015:2013+A1:2015  
EN 61547:2009  
EMC Directive 2014/30/EU

### ROHS

EN 62321:2012  
We certify that the product conforms to the protection requirements of council directives: Low Voltage Directive 2014/35/EU, 2014/30/EU (EMC), and Restriction of the use of certain Hazardous Substances in electrical and electronic equipment Directive (RoHS), 2015/863. Equipment referred to in this declaration of conformity was first manufactured in 2017 in compliance with these standards.

## CUSTOMER SERVICE

If you have any questions regarding this product, please contact Customer Service at +1-214-647-7880 or via e-mail at [entertainment.service@signify](mailto:entertainment.service@signify).

## LIMITED 2-YEAR WARRANTY

Vari-Lite offers a two-year limited warranty on its control products against defects in materials or workmanship from the date of delivery. A copy of Vari-Lite two-year limited warranty containing specific terms and conditions can be obtained from the Vari-Lite website at [www.vari-lite.com](http://www.vari-lite.com) or by contacting your local Vari-Lite office.

## SAFETY WARNINGS AND NOTICES

When using electrical equipment, basic safety precautions should always be followed including the following:

### READ AND FOLLOW ALL SAFETY INSTRUCTIONS.

- For indoor, dry locations use only. Do not use outdoors.
- Equipment should be mounted in locations and at heights where it will not readily be subjected to tampering by unauthorized personnel.
- The use of accessory equipment not recommended by the manufacturer may cause an unsafe condition.
- Not for residential use. Do not use this equipment for other than intended use.
- Refer service to qualified personnel.
- The use of accessory equipment not recommended by the manufacturer may cause an unsafe condition.
- Not for residential use. Do not use this equipment for other than intended use.
- Refer service to qualified personnel. This fixture contains no user serviceable parts.
- Prior to first use, carefully inspect unit for damage from shipping.
- Installation and operation to be performed by qualified personnel only.
- Use safety tether when mounting.
- Install only in locations with adequate ventilation of at least 50cm clearance from adjacent surfaces.
- Ensure sure that ventilation slots are not blocked.
- Ensure that the voltage and frequency of the power supply match the power requirements of the fixture.
- The fixture must be earthed/grounded to the appropriate conductor.
- Do not operate fixture outside the ambient temperature range of 0–40°C.
- Do not connect the fixture to any dimmer pack.
- New fixtures may emit a chemical odor due to the manufacturing process. This odor will dissipate over time.
- Note distance requirement(s) from combustible materials or illuminated objects. Do not mount near gas or electric heaters.
- Prior to each use, carefully inspect power cables and replace any damaged cables.
- Exterior surfaces of the luminaire will be hot during operation. Take appropriate precautions.
- Continuous use of the fixture may shorten the lifespan. Power down the fixture when not in use.
- Clean fixtures regularly, particularly when working in a dusty environment.
- Never touch power cables or wires while the fixture is powered on.
- Avoid entangling power wires with other cables.
- In the event of a serious operating problem, immediately discontinue using the fixture.
- Never turn on and off the unit time after time.
- The housing, lenses, and/or the ultraviolet filter must be replaced if they are damaged.
- Disconnect mains power if the fixture is not used for a long time.
- Original packing materials can be reused for transporting the fixture.
- This fixture is designed for dry locations only. Exposure to rain or moisture may damage fixture unless it is suitably IP rated.
- Do not look directly at the LED light beam while the fixture is on.
- Equipment should be mounted in locations and at heights where it will not readily be subjected to tampering by unauthorized personnel.

### SAVE THESE INSTRUCTIONS.

**WARNING:** Refer to National Electrical Code® and local codes for cable specifications. Failure to use proper cable can result in damage to equipment or danger to



## AMERICAS

10911 Petal Street  
Dallas, TX 75235  
Tel: +1 214-647-7880  
Fax: +1 214-647-8039

## ASIA

Room 1201, Freetown Tower D  
E 3rd Ring Rd S, 58  
Chaoyang Qu  
Beijing Shi, China  
Tel: +8610-58674776  
Fax: +8610-58674775

B-1-27, Dataran Cascades, No. 13A  
Jalan PJU 5/1  
Kota Damansara PJU 5  
47810 Petaling Jaya  
Selangor, Malaysia  
Tel: +60 3-7611 7302

## EUROPE

Rondweg Zuid 85  
Winterswijk 7102 JD  
Netherlands  
Tel: +31 543-542516  
Fax: +31 543-542513

24 Sovereign Park  
Coronation Road  
Park Royal, London  
NW10 7QP  
United Kingdom  
Tel: +44 020 8965 3209

© 2019 Signify Holding. All rights reserved.

All trademarks are owned by Signify Holding or their respective owners. The information provided herein is subject to change, without notice. Signify does not give any representation or warranty as to the accuracy or completeness of the information included herein and shall not be liable for any action in reliance thereon. The information presented in this document is not intended as any commercial offer and does not form part of any quotation or contract, unless otherwise agreed by Signify. Data subject to change.