

VL550 Wash

l u m i n a i r e

Tungsten Units

Programmable Functions

Intensity Control:	External dimmer (supplied by user).
Color Mixing System:	Patented DICHRO*TUNE radial color changing mechanism features independent magenta, blue, and amber color control. All motors utilize a noise reducing, drive system that quiets operation during movement and also while static.
Beam Control:	A selection of six, easily interchangeable front lenses work with the internal radial diffusing mechanism to provide a variety of beam sizes and shapes. (Stipple lens comes included in the standard model.)
Pan and Tilt:	Smooth, time-controlled continuous motion by way of a high-power stepper motor system capable of 0.3° resolution.
Range:	Pan - 540°, Tilt - 270°.

Description

Source:	120V/1200W Tungsten Halogen Lamp 230V/1000W Tungsten Halogen Lamp	Color Temperature: 3200K Color Temperature: 3200K
Power Requirements:	100-240 VAC 50/60 Hz. (Draws 6 to 14 Amps depending on lamp / input voltage.)	
Reflector:	Precision parabolic glass reflector system with dichroic cold mirror coating.	
Operational Temperature:	-20° to 122°F (-29° to 50°C)	
Cooling:	Natural convection cooling supported by on-demand micro-fans for high temperature applications.	
Control:	Completely compatible with a wide variety of DMX512 lighting control consoles.	
DMX Channels:	8 - 13 channels depending upon model selected.	
Mounting Position:	May be mounted and operated in any orientation.	
Spacing:	Hangs on 19 inch (48.26 cm) centers.	
Weight:	43 lbs (19.5 kg).	

Ordering Information

Standard Color Dichroic Glass:	
20.9683.0001	VL550 Wash, 120V or 230V, Standard DICHRO*TUNE Color System, Includes Lamp (Must specify lamp type when ordering) and Stipple Lens (NSP)
20.9683.0001.02	VL550 Wash, WHITE, 120V or 230V, Standard DICHRO*TUNE Color System, Includes Lamp (Must specify lamp type when ordering) and Stipple Lens (NSP)
Pastel Color Dichroic Glass:	
20.9683.0011	VL550 Wash, 120V or 230V, Pastel DICHRO*TUNE Color System, Includes Lamp (Must specify lamp type when ordering) and Stipple Lens (NSP)
20.9683.0011.02	VL550 Wash, WHITE, 120V or 230V, Pastel DICHRO*TUNE Color System, Includes Lamp (Must specify lamp type when ordering) and Stipple Lens (NSP)
Accessories:	
71.2529.0120	120V/1200W Tungsten Replacement Lamp
71.2526.0230	230V/1000W Tungsten Replacement Lamp
42.9685.0201	Clear Lens (VNSP)
42.9685.0207	Stipple Lens (NSP) Standard with Fixture
42.9685.0203	8-Row Lenticular Lens (MFL)
42.9685.0206	10-Row Lenticular Lens (MFL)
42.9685.0204	12-Row Lenticular Lens (WFL)
42.9685.0205	Buxom Lens (VWFL)
22.9620.0194	Safety Cable Assembly
28.8500.0054	USB Luminaire Programming Kit
55.6840.0001	Truss Hook, Mega-Clamp (Round and Square)
55.6841.0001	Truss Hook, Mega-Claw (for 2" Round Tube)
PC1BE	AC Input Cable, PowerCon with Bare End (no connector), 1 Meter
PC1GP	AC Input Cable, PowerCon with Stage Pin (Male), 1 Meter
PC1GTL	AC Input Cable, PowerCon with Twist Lock (Male), 1 Meter, 125V
PC1GTL208	AC Input Cable, PowerCon with Twist Lock (Male), 1 Meter, 250V
PC1GR	AC Input Cable, PowerCon with Edison (Male), 1 Meter



Back by popular demand, the VARI*LITE VL550 Wash luminaire is based upon the Emmy® Award-winning VL5 Wash luminaire, but with significant design improvements. The drive system quiets all two-phase motors both when moving and static. Three-phase, ultra quiet stepper motors provide for smooth and quiet pan and tilt operation.

The patented and innovative DICHRO*TUNE radial color mixing system employs three sets of 16 radially mounted dichroic blades – magenta, blue, and amber – designed to produce a smooth, full spectrum of color cross-fades.

This luminaire is also available with pastel versions of the standard colors. The pastel colors offer a softer Broadway-type color palette often used in live theater.

The VL550 wash utilizes 16 radially mounted diffuser planes control beam spread. For additional beam control, the VL550 may be purchased with six interchangeable lens options, including clear, stipple (included in stock fixture), 8-row, 10-row, 12-row, and Buxom.

The VL550 is designed with natural convection cooled lamps, and internally cooled electronics which utilize low velocity, low noise micro-fans. Two on-demand fans are mounted internally in the yoke arms and activate only in extreme conditions where ambient temperature exceeds 41° C, or if the fixture is mounted in a horizontal position. User override is possible through the unit's menu display.

The VL550 is a stand-alone fixture with no additional on-board equipment required, except for an external dimmer. Simply plug in DMX512 and power, and the VL550 may be controlled through a variety of DMX512 lighting control consoles.

The VL550 comes standard with an on-board, backlit, invertible LCD display. This enhanced display is easy to read with or without the backlight on.



VL550 Wash

l u m i n a i r e

Tungsten Units

Specifications

The unit shall be an integrally designed, remote controlled, motorized wash luminaire. The head, yoke, and enclosure housing are constructed of aluminum alloy and steel for lightweight strength and durability. The front nose ring and rear housing shall be hinged and latched, providing easy access to the lamp and lens for replacement.

Each unit shall be equipped with an on-board microprocessor to control all actions of the luminaire, providing diagnostic and self-calibration functions, as well as internal test routines and software update capabilities.

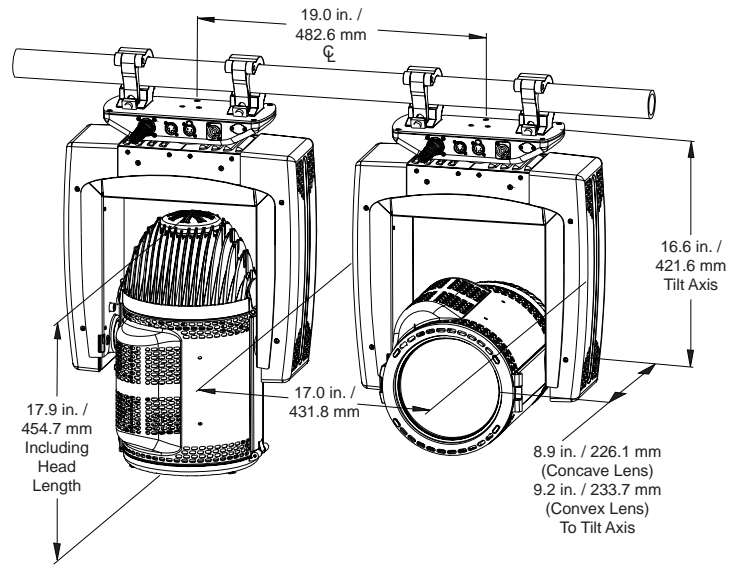
Each unit shall have three-color changers holding a minimum of 16 frames of standard dichroic media (magenta, blue, and amber), or with a pastel color mixing set as requested by the specifier, providing a full spectrum of color cross-fades, with a wide range in the saturated colors.

Each unit shall contain one diffuser mechanism holding a minimum of 16 glass diffuser panels that intercept the beam and provide continuous time variable diffusion range for each of the available lenses. Unit shall utilize a drive system that quiets all two-phase motors both when moving and static. Unit shall utilize three-phase, ultra quiet stepper motors for smooth and quiet pan and tilt operation.

Each unit shall use a 120VAC / 1200W, or a 230VAC / 1000W, tungsten halogen lamp, with a 3200-degree color temperature output, and shall be natural convection cooled with the added use of on-demand micro-fan control.

Pastel (Dichroic Glass) Feature:

Pastel Color Feature: As an option, the luminaire shall be made available with "pastel" or lighter colored magenta and blue color filters. The luminaire, fitted with pastel-colored dichroic glass, shall maintain the electrical specifications of the standard version of the VL550 Wash luminaire.



Photometric Data

Shown with accessories that are sold separately.

1200W 120V Lamp (3200K Color Temperature)						
Lens	Lumens	Candela (cd)	Foot Candles (measured at 124 inches)	Lux (measured at 3.149 meters)	Beam Angle (degrees)	Field Angle (degrees)
Clear	6,010	377,632	2,516	27,143	6.5	14.0
Stipple	6,140	284,791	2,544	27,467	7.9	16.2
8-Row	4,680	93,761	1,163	12,489	12.9	19.0
10-Row	4,940	92,573	1,377	14,812	12.2	20.8
12-Row	3,400	30,358	941	10,143	18.6	30.0
Buxom	3,040	29,153	1,868	20,245	24.2	43.3

1000W 230V Lamp (3200K Color Temperature)						
Lens	Lumens	Candela (cd)	Foot Candles (measured at 124 inches)	Lux (measured at 3.149 meters)	Beam Angle (degrees)	Field Angle (degrees)
Clear	4,790	343,614	1,978	21,263	6.4	13.0
Stipple	4,910	239,961	1,955	21,004	7.8	15.6
8-Row	3,820	78,833	973	10,500	14.2	19.0
10-Row	4,170	73,418	1,092	11,747	14.9	20.8
12-Row	2,730	25,623	762	7,997	19.7	29.1
Buxom	2,210	25,532	1,447	15,583	22.2	39.4



©2013 Philips Group. All rights reserved. Printed in the U.S.A. We reserve the right to change details of design, materials and finishes. Specifications are subject to change without notice. VARI*LITE automated lighting equipment is made in the U.S.A. The Emmy name is the trademarked property of The Academy of Television Arts & Sciences and the National Academy of Television Arts & Sciences.



Vari-Lite
10911 Petal Street
Dallas, TX 75238
1.877.VARILITE
fax: 214.647.8038
www.vari-lite.com



VL550_082713