
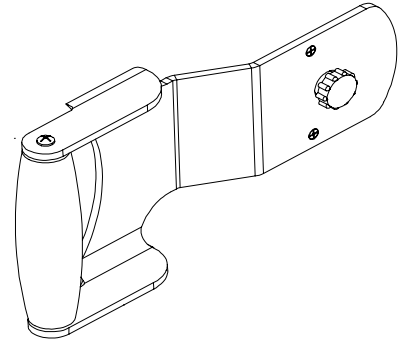


Overview

The VL3015LT Spot Luminaire Followspot Handle is an optional accessory available through your Authorized VARI*LITE Dealer. This accessory is designed to allow the VL3015LT Spot Luminaire (Vari-Lite part number 21.9698.9610) to be utilized as a manually aimed followspot while still providing full attribute controls via DMX.



VL3015LT Spot Luminaire Followspot Handle Accessory

Warnings



- When VL3015LT Spot Luminaire Followspot Handle is installed, the luminaire cannot be operated in its normal mode (pan and tilt controlled via DMX512) or damage to luminaire may occur.
- When operating the VL3015LT luminaire with the VL3015LT Spot Luminaire Followspot Handle, operators must be aware of the intense heat generated at the back of luminaire and wear appropriate hand protection.
- Ensure that power is completely removed from luminaire when installing this accessory.
- Allow luminaire to completely cool before performing the installation procedure contained herein.

Luminaire Configuration



WARNING: Before installing the VL3015LT Spot Luminaire Followspot Handle or handles, you must configure the Luminaire, through the menu system, for followspot operational mode as follows:

1. Make sure that luminaire is powered and DMX control cables are REMOVED from luminaire.
2. At menu, disable pan and tilt motors as follows: **Setup > Followspot > Enable.**
3. After configuration setting is complete, you must remove power from luminaire to install handle(s).

Installation

To install the Followspot Handle Accessory on a VL3015LT Spot Luminaire:



WARNING: Completely remove all power from luminaire before performing the procedure described herein. The luminaire head may be HOT after operation. Allow to cool before proceeding.

1. Completely disconnect and remove all power from luminaire.

Note: [Figure 1](#) and [Figure 2](#) (on page 2) illustrate handle installation on the right side of the luminaire. The VL3015LT Spot Luminaire Followspot Handle can be installed on either side. Installation instructions are the same for either installation method. Up to two handles may be installed on a luminaire.

2. As shown in [Figure 1](#), at desired side of luminaire, remove indicated screw from back portion of side rail. Keep screw in a safe place for later use (if handle is removed and luminaire placed back into normal operational service).

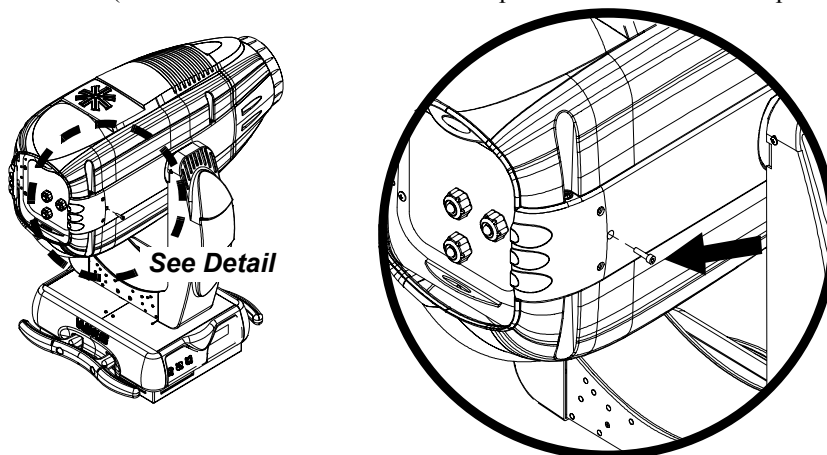


Figure 1: Rear Rail Screw Removal

3. As shown in [Figure 2](#), at desired side of Luminaire, position VL3015LT Spot Luminaire Followspot Handle where retaining screw is in line with screw hole (where screw was removed in previous step).

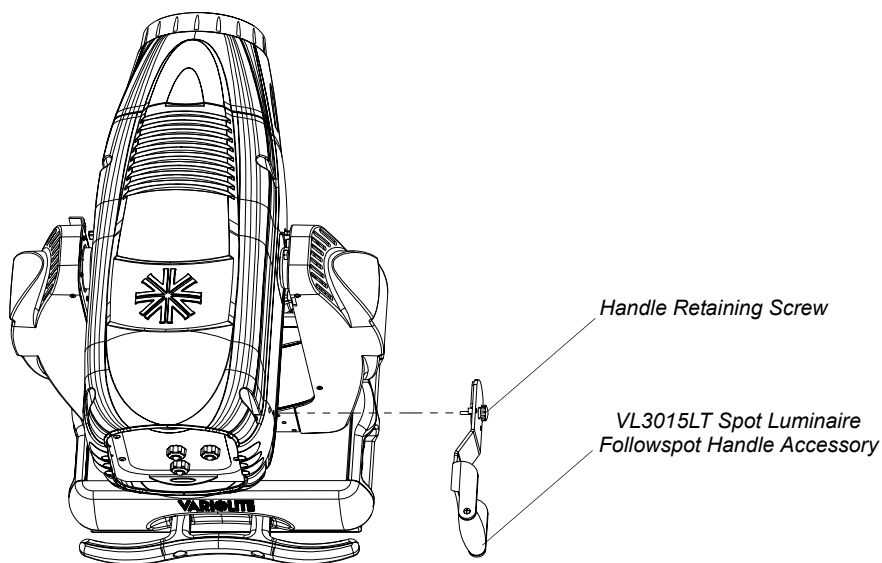


Figure 2: VL3015LT Spot Luminaire Followspot Handle Installation

4. Carefully thread retaining screw into screw hole. Note, the two installed screws (on the handle) should align with the two holes above and below screw hole. Hand-tighten handle retaining screw. **DO NOT OVER TIGHTEN!**



WARNING: After installing the VL3015LT Spot Luminaire Followspot Handle or handles, the luminaire, must always be set (through the menu system) for followspot operational mode or damage to the luminaire will occur!

Questions? Call Vari-Lite Customer Service at +1-214-647-7880 or visit us on the web at www.vari-lite.com.