

VL3500Q Spot

l u m i n a i r e



The VARI*LITE VL3500Q Spot luminaire is a powerful 1200W luminaire with an audible reduction in noise output from the standard VL3500 Spot luminaire. The VL3500Q Spot luminaire maintains the same high standards set by the original VARI*LITE Series 3000 luminaires for imagery, color, and brightness. The added feature is a four-blade shutter mechanism that allows the blades to be operated independently or in unison on two planes for a clear and crisp image. The "Q" range fixtures are designed for situations where the absence of noise is critical to the performance.

The VL3500Q Spot moves and operates the same as the VL3500 Spot luminaire. The trade off is strictly thermal. The "Q" range has an ambient temperature rating of 40-degrees Celsius, compared to the 50-degrees Celsius rating on the standard "non-Q" fixtures.

The VARI*LITE VL3500Q Spot luminaire features 6:1 zoom optics, CYM color mixing, variable CTO color temperature correction, a six position fixed color wheel, one rotating gobo effects wheel, one fixed gobo effects wheel, and separate dimmer and ultra-fast strobe mechanisms. A standard palette of gobos, effects, and fixed colors is provided with the unit. Custom gobos, effects, and colors are available.

An upper enclosure houses the control electronics as well as the arc power supply for the 1200 Watt short arc lamp. The arc power supply is power factor corrected for superior power distribution and efficiency.

The VL3500Q Spot luminaire can be controlled from a wide variety of DMX 512 consoles without the need for additional interface equipment.

The change in size and weight due to the modifications is minimal, allowing a consistent hang configuration and appearance no matter which luminaire type is required. The bottom vent cover is one inch taller, and the fixture is three pounds heavier than standard VL3500 Spot fixtures.

Programmable Functions

Color System:	A three-filter CYM cross-fading mechanism. A fixed color wheel with six interchangeable color filters and continuous wheel rotation for additional effects. It includes a variable CTO color temperature correction filter.
Zoom Optics:	A 13-element 6:1 zoom optics system, covering a range from 10° to 60°.
Shutter Control:	A four-blade shutter mechanism that allows the blades to be operated independently or in unison on two planes for a clear and crisp image. The entire mechanism can rotate 50° in either direction.
Intensity Control:	Full field dimming designed for smooth timed fades as well as quick dimming effects.
Strobe:	High-performance dual blade strobe system capable of ultra-fast operation.
Rotating Gobo Wheels:	One gobo/effects wheel provides five rotatable, indexable gobo positions and one open position.
Fixed Gobo Wheel:	One fixed gobo/effects wheel provides six positions for standard or custom gobos and one open position.
Edge and Pattern Focus:	Variable beam focus to soften edges of gobos or spots. Remarkable depth of field capability allows morphing effects between all pattern and effects wheels.
Pan and Tilt:	Smooth, time-controlled continuous motion by way of three-phase stepper motor systems.
Range:	Pan - 540°, Tilt - 270°.
Accuracy:	0.3° resolution.

Description

Source:	1200W Short Arc Lamp	Color Temperature:	6000K
		CRI:	85
Fixture Output:	20,000 lumens.		
Power Requirements:	Standard AC power distribution from 200– 264 VAC, 50/60 HZ. The unit requires 7 to 12 A depending on the AC supply voltage.		
Reflector:	Precision glass reflector system with dichroic cold mirror coating.		
Operational Temperature:	-20° to 104°F (-29° to 40°C).		
Cooling:	Forced air cooling.		
Control:	Completely compatible with a wide variety of DMX512 consoles.		
DMX Channels:	31		
Mounting Position:	The VL3500Q Spot luminaire can be mounted and operated in any orientation.		
Spacing:	Hangs on 26 in. (66 cm) centers.		
Weight:	94 lbs (43 kg).		

Ordering Information

Luminaires:	20.9678.0020	VL3500Q Spot Luminaire, Black, Includes 1200W Short Arc Lamp
Accessories:	71.9678.0012	1200W Short Arc Lamp
	22.9620.0194	Safety Cable Assembly
	28.8500.0054	USB Luminaire Programming Kit
	55.6840.0001	Truss Hook, Mega-Clamp (For round and square pipe)
	55.6841.0001	Truss Hook, Mega-Claw (For 2" round pipe)
	PC1BE	AC Input Cable, PowerCon with Bare End (no connector), 1 Meter
	PC1GTL208	AC Input Cable, PowerCon with Twist Lock (Male), 250V, 1 Meter



PHILIPS

VARI*LITE

VL3500Q Spot

l u m i n a i r e

Specifications

The unit is an integrally designed, remote-controlled, motorized spot luminaire. The head, yoke and enclosure housings are constructed of aluminum alloy for light weight, strength and durability. Low-noise fans provide forced-air cooling for internal components. The rear cap is hinged, providing easy access to the lamp for replacement.

A single AC input PowerCon connection along with two, five-pin DMX512 compatible connectors (in and through) are provided. The unit can be controlled from a wide variety of DMX512 consoles.

Each unit is equipped with an on-board processor providing diagnostic and self-calibration functions as well as internal test routines and software update capabilities.

The unit contains two independent three-phase stepper motors to provide movement of the head through 540° in the horizontal plane (pan) and 270° in the vertical plane (tilt). The pan and tilt mechanisms are belt-driven, providing positional resolution and repeatability of 0.3° on either axis.

A 6:1 zoom optics system adjusts the projected field angle over a range of 10° to 60°. Variable beam focus is provided to soften the edges of gobos or spots and to provide gobo morphing. The projected image remains in focus throughout the entire zoom range.

The unit contains a CYM color mixing system, as well as variable CTO color temperature correction.

The fixture's shutter mechanism is comprised of four frame blades that move independently or in unison on two planes for a crisp, sharp image. The entire assembly operates in a smooth, time-continuous motion using stepper motors (two per frame blade and one for the entire mechanism). The shutter mechanism can rotate 50° in either direction and the frame blades can tilt +/- 30°.

One fixed color filter wheel is included. The color wheel holds six interchangeable dichroic colors to allow for custom configurations. The unit comes equipped with a standard palette of dichroic color filters. (Custom colors are available from Vari-Lite.)

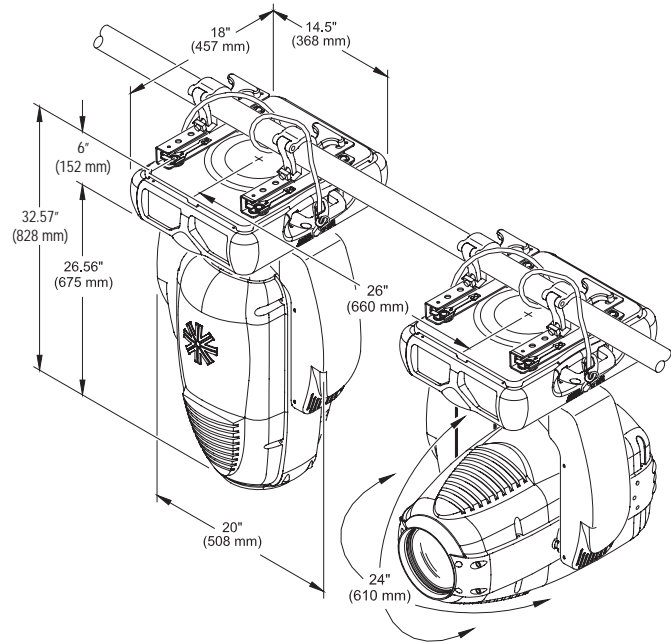
Each luminaire has two gobo/effects wheels. One is a six-position rotating gobo wheel containing individually rotating, indexable gobos and patterned glass effects. One position on this wheel is open. A second gobo effects wheel is a seven position, fixed wheel and accepts six gobos with one position open. Each gobo/effects wheel is such that allows customization of the unit. The unit comes equipped with a standard set of gobos and effects. (A wide selection of colored and patterned gobos and effects is available from Vari-Lite.)

The unit contains a patterned glass dimmer wheel that provides full field dimming and allows for smooth timed fades and fast blackouts.

A dual blade strobe and dousing system provides variable strobe effects capable of rapid operation.

The unit shall be ETL and ETLc certified and CE-marked. Exterior finish is black.

Hanging Dimensions



Photometric Data*

VL3500Q Spot Luminaire - 1200W Metal Halide					
Zoom Lens Position	Candela* (cd)	Beam Angle (degrees)	Beam Diameter TN ¹	Field Angle (degrees)	Field Diameter TN ¹
NFOV	1,201,000	9.0	0.157	10.0	0.175
MFOV	104,400	31.0	0.555	35.0	0.631
WFOV	40,930	46.0	0.849	56.0	1.063

¹ Multiply distance by TN to determine coverage.

To calculate center beam illuminance (I), at a specific distance (D): $I = cd / D^2$

— if (D) is in feet, (I) is in foot candles


— if (D) is in meters, (I) is in lux

* Note:

All data taken with seasoned light source at 20 hours of life.

Fixture output = 20,000 lumens.

PHILIPS
VARI*LITE

©2013 Philips Group. All rights reserved. Printed in the U.S.A. We reserve the right to change details of design, materials and finishes. Specifications are subject to change without notice. VARI*LITE automated lighting equipment is made in the U.S.A.



Vari-Lite
10911 Petal Street
Dallas, TX 75238
1.877.VARILITE
fax: 214.647.8038
www.vari-lite.com



VL3500Q_Spot - 073013NA