

VI2600 Wash(PC mode)

▶ Photometric Data(Maximum zoom)

Luminaire specifications

Optical system: Zoom lens system from 10degree to 60degree(10%)
 Beam angle(50%): 45 degree
 Field angle(10%): 55 degree
 CRI: 82
 CCT: 7000K
 Tm30: Rf/80 Rg/94

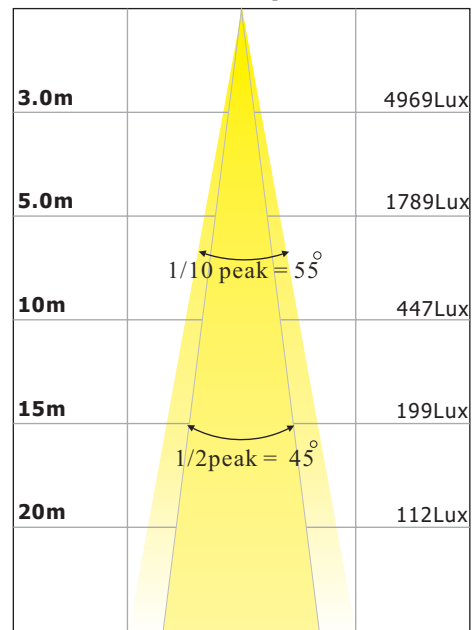
Illuminance

DISTANCE	3m	5m	10m	15m
COLOR	Lux	Lux	Lux	Lux
7000K(Full on)	4969	1789	447	199

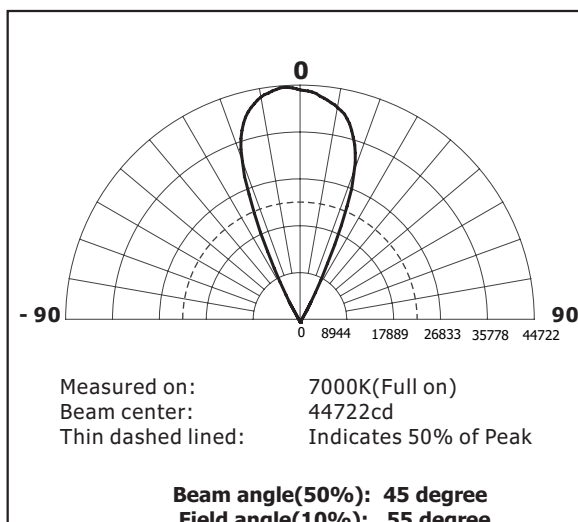
Light output

COLOR	Total (lumens)	Power(watts)	Efficacy(lm/W)
7000K(Full on)	21873	660	33

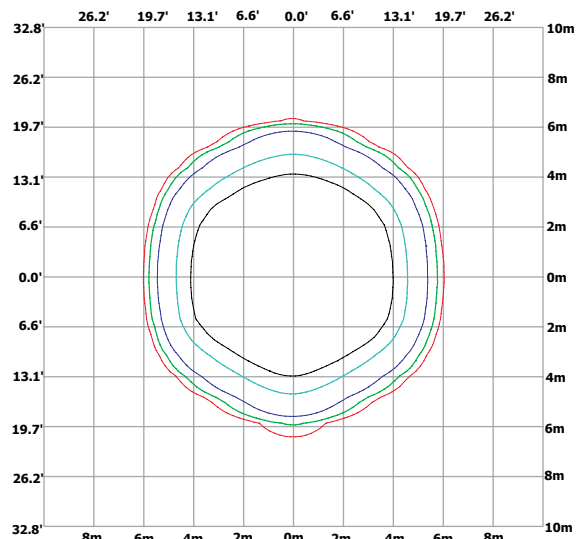
Full intensity in 7000K



Light distribution



Isolux diagram



At 10m distance

- 3% 13 lx
- 5% 22 lx
- 10% 45lx
- 30% 134lx
- 50% 224lx

VI2600 Wash(Wash mode)

▶ Photometric Data(Maximum zoom)

Luminaire specifications

Optical system: Zoom lens system from 10degree to 60degree(10%)
 Beam angle(50%): 35 degree
 Field angle(10%): 60 degree
 CRI: 82
 CCT: 7000K
 Tm30: Rf/80 Rg/94

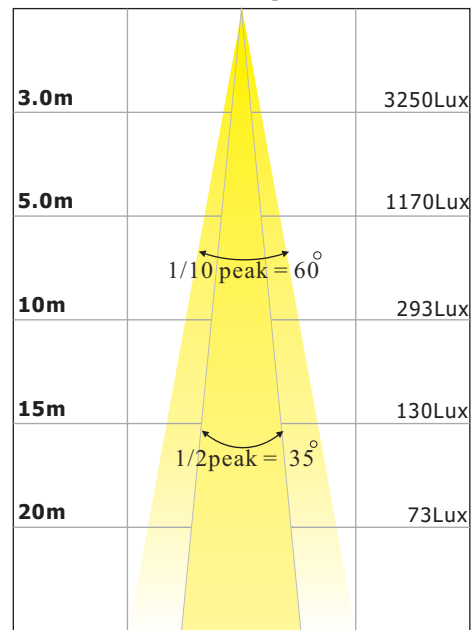
Illuminance

DISTANCE	3m	5m	10m	15m
COLOR	Lux	Lux	Lux	Lux
7000K(Full on)	3250	1170	293	130

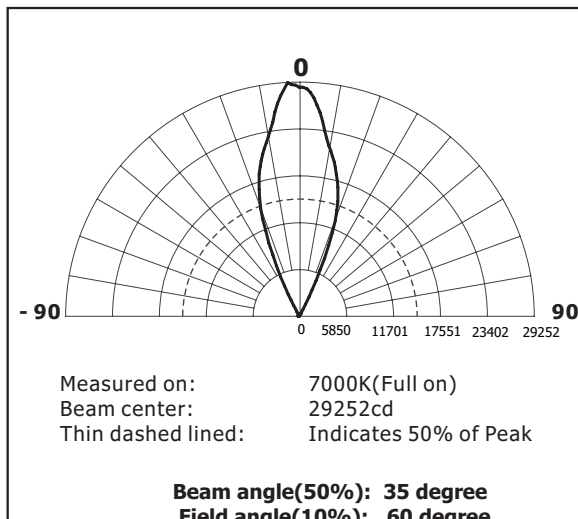
Light output

COLOR	Total (lumens)	Power(watts)	Efficacy(lm/W)
7000K(Full on)	11140	660	17

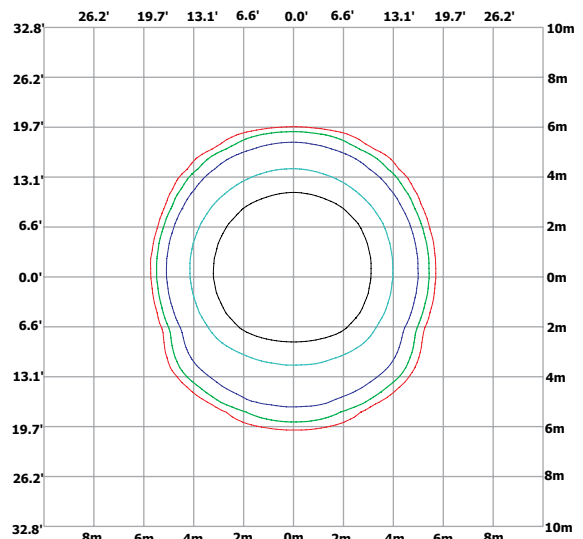
Full intensity in 7000K



Light distribution



Isolux diagram



At 10m distance

- 3% 9 lx
- 5% 15 lx
- 10% 29 lx
- 30% 88 lx
- 50% 147 lx

VI2600 Wash(PC mode)

▶ Photometric Data(Medium zoom)

Luminaire specifications

Optical system: Zoom lens system from 10degree to 60degree(10%)
 Beam angle(50%): 24 degree
 Field angle(10%): 32 degree
 CRI: 82
 CCT: 7000K
 Tm30: Rf/80 Rg/94

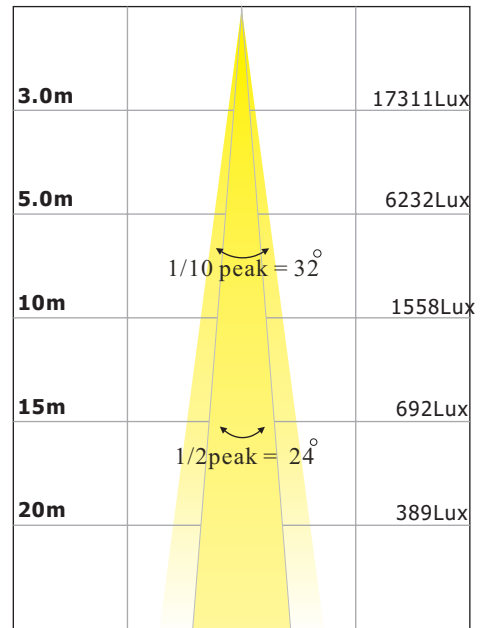
Illuminance

DISTANCE	3m	5m	10m	15m
COLOR	Lux	Lux	Lux	Lux
7000K(Full on)	17311	6232	1558	692

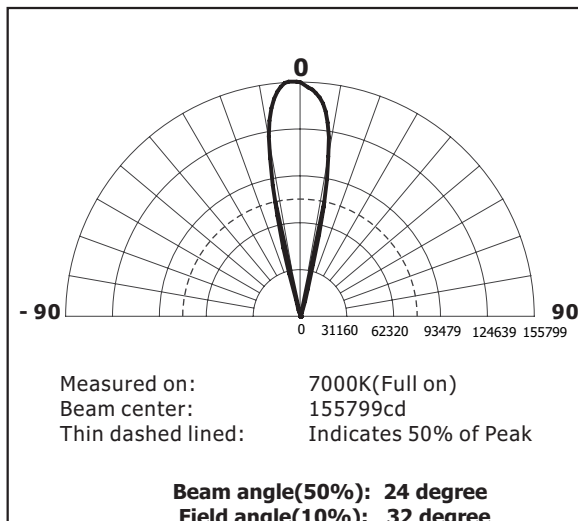
Light output

COLOR	Total (lumens)	Power(watts)	Efficacy(lm/W)
7000K(Full on)	22623	660	34

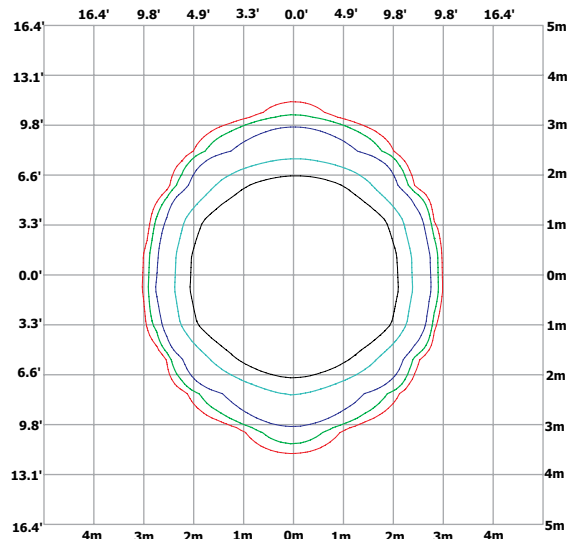
Full intensity in 7000K



Light distribution



Isolux diagram



At 10m distance

- 3% 47 lx
- 5% 78 lx
- 10% 156lx
- 30% 467lx
- 50% 779lx

VI2600 Wash(Wash mode)

▶ Photometric Data(Medium zoom)

Luminaire specifications

Optical system: Zoom lens system from 10degree to 60degree(10%)
 Beam angle(50%): 22 degree
 Field angle(10%): 36 degree
 CRI: 82
 CCT: 7000K
 Tm30: Rf/80 Rg/94

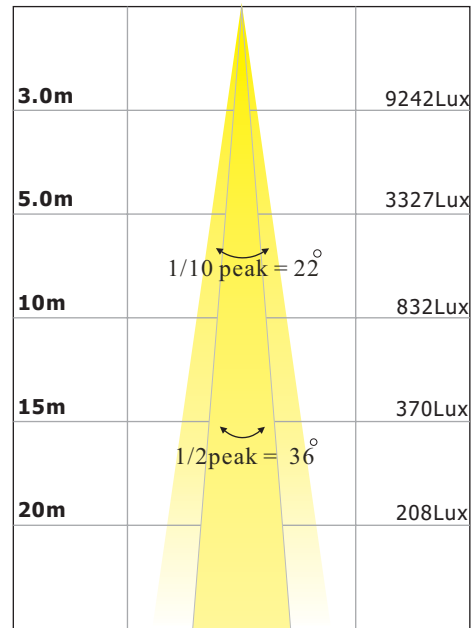
Illuminance

DISTANCE	3m	5m	10m	15m
COLOR	Lux	Lux	Lux	Lux
7000K(Full on)	9242	3327	832	370

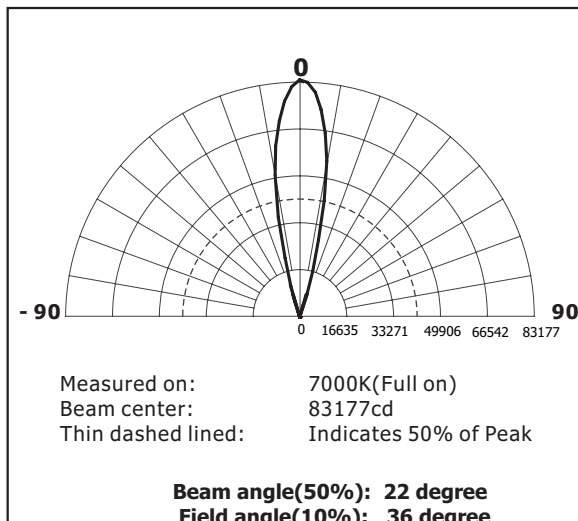
Light output

COLOR	Total (lumens)	Power(watts)	Efficacy(lm/W)
7000K(Full on)	11913	660	18

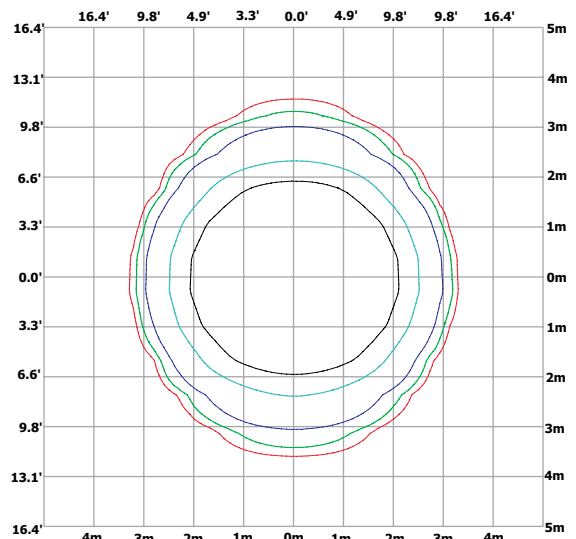
Full intensity in 7000K



Light distribution



Isolux diagram



At 10m distance

- 3% 25 lx
- 5% 42 lx
- 10% 83lx
- 30% 250lx
- 50% 416lx

VI2600 Wash(PC mode)

▶ Photometric Data(Minimum zoom)

Luminaire specifications

Optical system: Zoom lens system from 10degree to 60degree(10%)
 Beam angle(50%): 10 degree
 Field angle(10%): 13 degree
 CRI: 82
 CCT: 7000K
 Tm30: Rf/80 Rg/94

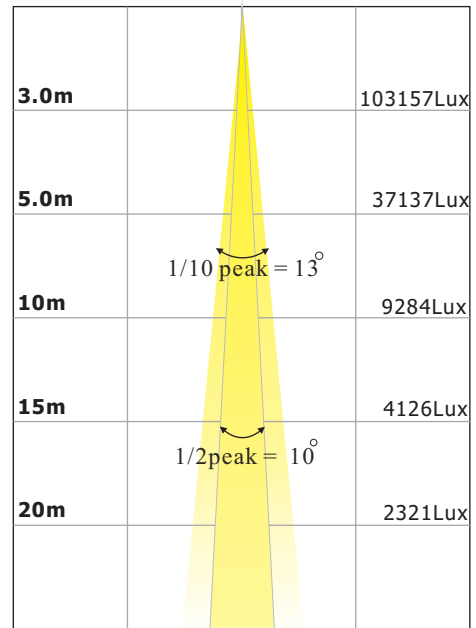
Illuminance

DISTANCE	3m	5m	10m	15m
COLOR	Lux	Lux	Lux	Lux
7000K(Full on)	103157	37137	9284	4126

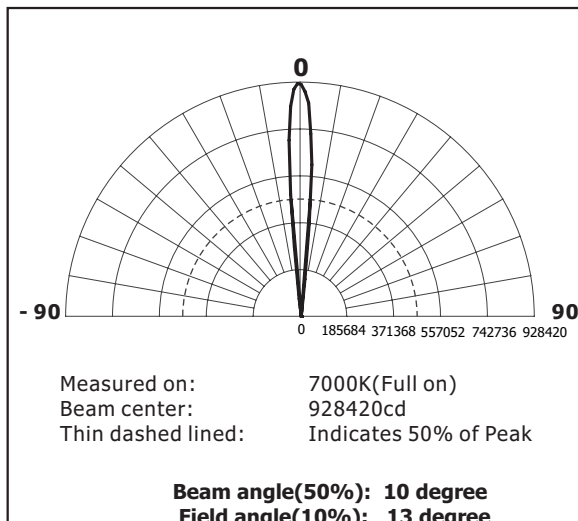
Light output

COLOR	Total (lumens)	Power(watts)	Efficacy(lm/W)
7000K(Full on)	21578	660	33

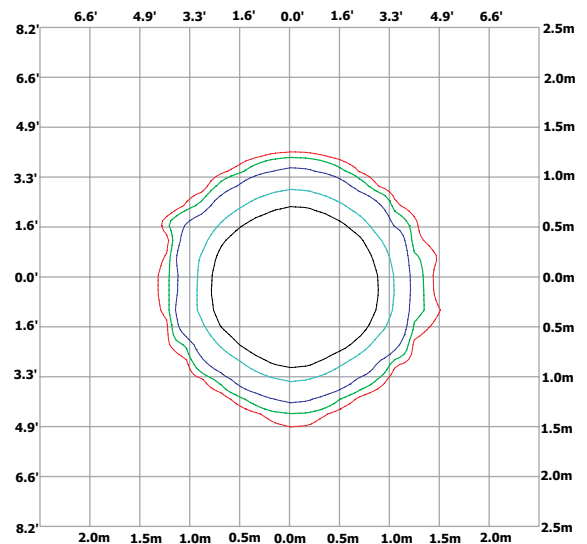
Full intensity in 7000K



Light distribution



Isolux diagram



At 10m distance

- 3% 279 lx
- 5% 464 lx
- 10% 928 lx
- 30% 2785lx
- 50% 4642lx

VI2600 Wash(Wash mode)

▶ Photometric Data(Minimum zoom)

Luminaire specifications

Optical system: Zoom lens system from 10degree to 60degree(10%)
 Beam angle(50%): 9 degree
 Field angle(10%): 18 degree
 CRI: 82
 CCT: 7000K
 Tm30: Rf/80 Rg/94

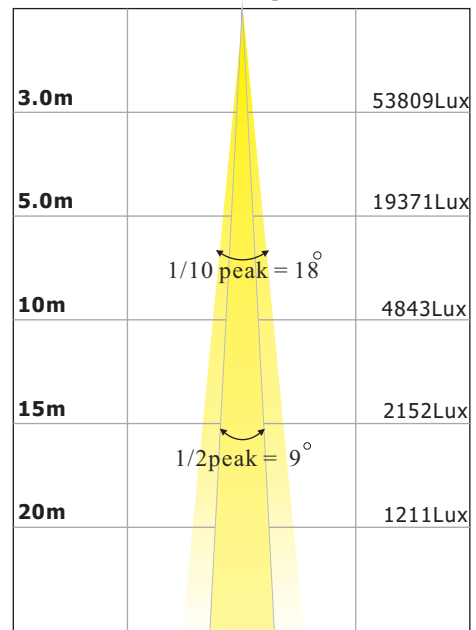
Illuminance

DISTANCE	3m	5m	10m	15m
COLOR	Lux	Lux	Lux	Lux
7000K(Full on)	53809	19371	4843	2152

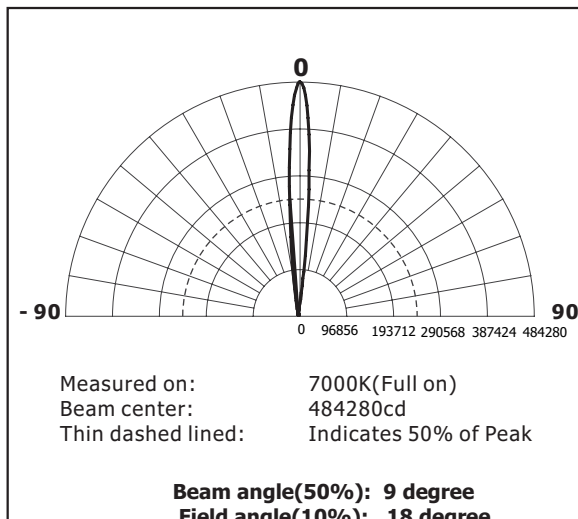
Light output

COLOR	Total (lumens)	Power(watts)	Efficacy(lm/W)
7000K(Full on)	14365	660	22

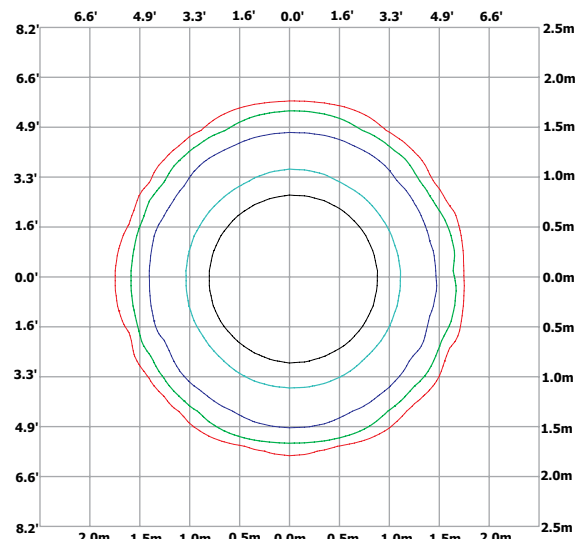
Full intensity in 7000K



Light distribution



Isolux diagram



At 10m distance

- 3% 145 lx
- 5% 242 lx
- 10% 484 lx
- 30% 1453lx
- 50% 2421lx