

# VI2600 Spot&Profile(Frost)

## ▶ Photometric Data(Maximun zoom)

### Luminaire specifications

Optical system: Zoom lens system from 7degree to 48degree(10%)  
 Beam angle(50%): 42 degree  
 Field angle(10%): 54 degree  
 CRI: 82  
 CCT: 7000K  
 Tm30: Rf/80 Rg/94

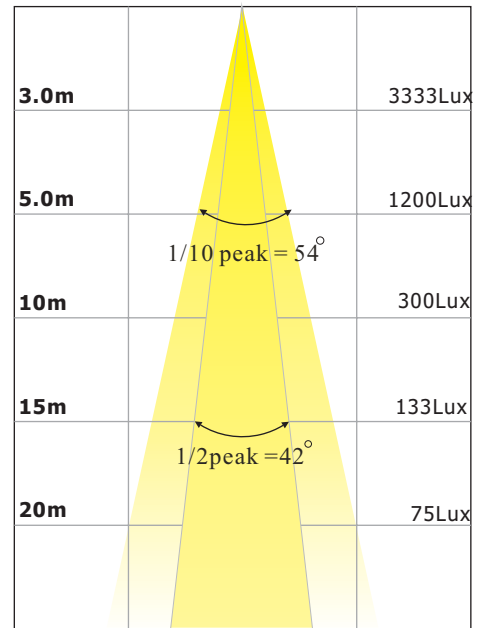
### Illuminance

DISTANCE	3m	5m	10m	15m
COLOR	Lux	Lux	Lux	Lux
7000K(Full on)	3333	1200	300	133

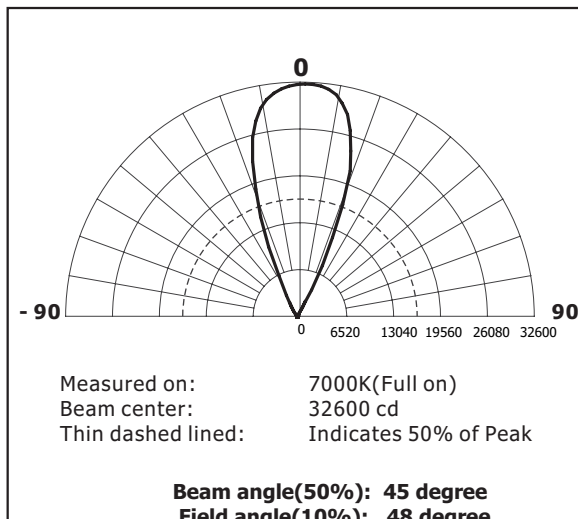
### Light output

COLOR	Total (lumens)	Power(watts)	Efficacy(lm/W)
7000K(Full on)	14583	685	21

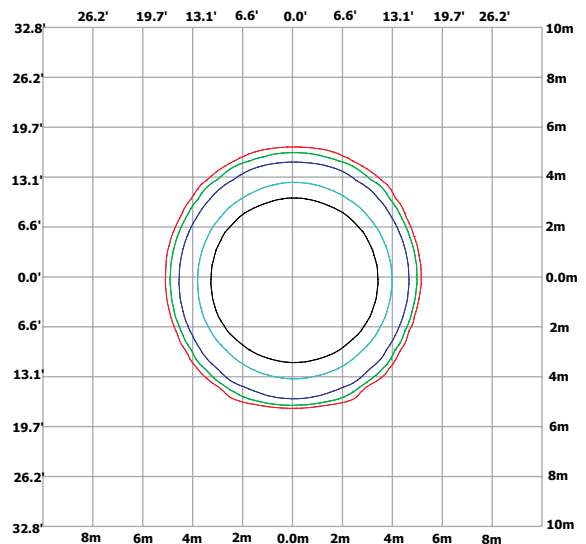
### Full intensity in 7000K



### Light distribution



### Isolux diagram



At 10m distance

- 3% 9 lx
- 5% 15 lx
- 10% 30 lx
- 30% 90 lx
- 50% 150lx

# VI2600 Spot&Profile(spot mode)

## ▶ Photometric Data(Maximun zoom)

### Luminaire specifications

Optical system: Zoom range from 7 to 48 degree @10%  
 Beam angle(50%): 45 degree  
 Field angle(10%): 48 degree  
 CRI: 82  
 CCT: 7000K  
 Tm30: Rf/80 Rg/94

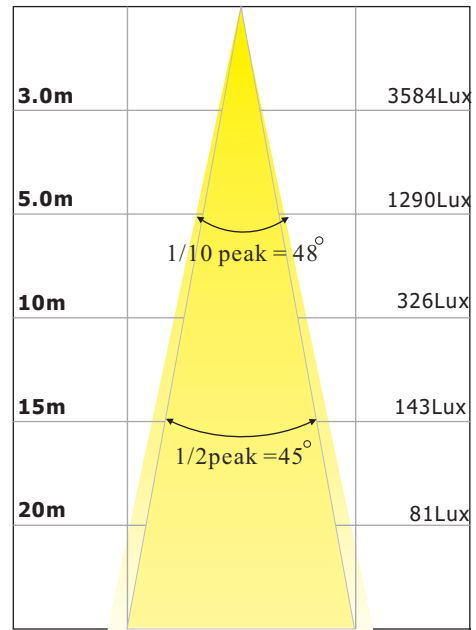
### Illuminance

DISTANCE	3m	5m	10m	15m
<b>COLOR</b>	<b>Lux</b>	<b>Lux</b>	<b>Lux</b>	<b>Lux</b>
<b>7000K(Full on)</b>	3584	1290	326	143

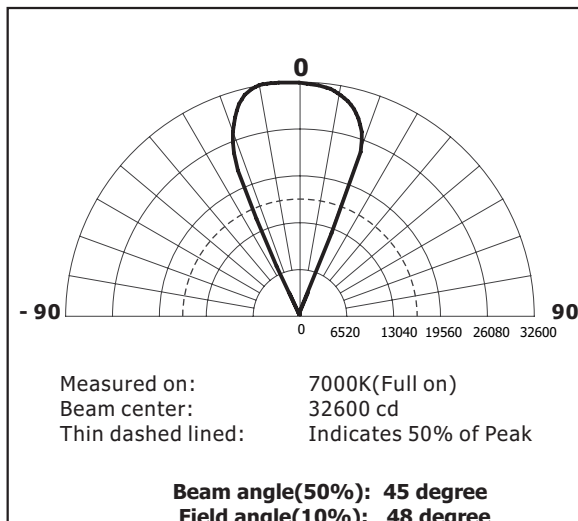
### Light output

COLOR	Total (lumens)	Power(watts)	Efficacy(lm/W)
7000K(Full on)	16476	685	24

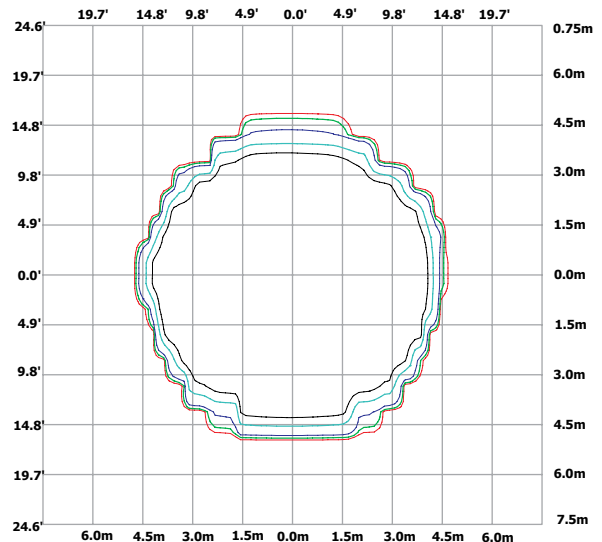
### Full intensity in 7000K



### Light distribution



### Isolux diagram



At 10m distance

- 3% 10 lx
- 5% 16 lx
- 10% 33 lx
- 30% 98 lx
- 50% 163lx

# VI2600 Spot&Profile(Frost)

## ▶ Photometric Data(Medium zoom)

### Luminaire specifications

Optical system: Zoom lens system from 7degree to 48degree(10%)  
 Beam angle(50%): 19 degree  
 Field angle(10%): 25 degree  
 CRI: 82  
 CCT: 7000K  
 Tm30: Rf/80 Rg/94

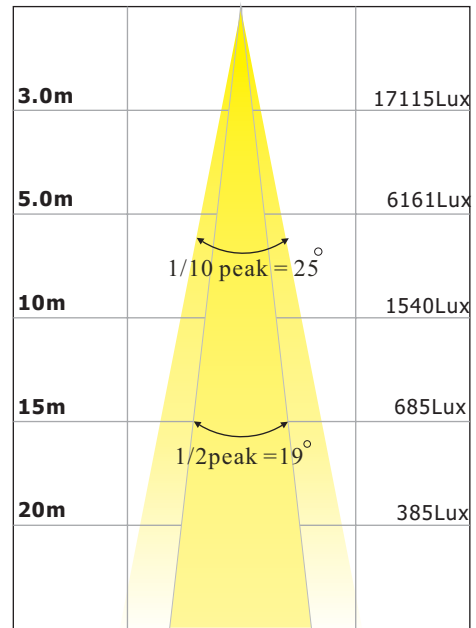
### Illuminance

DISTANCE	3m	5m	10m	15m
COLOR	Lux	Lux	Lux	Lux
7000K(Full on)	17115	6161	1540	685

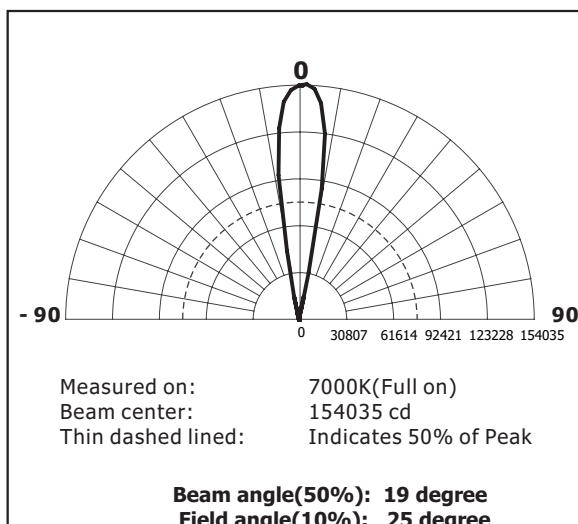
### Light output

COLOR	Total (lumens)	Power(watts)	Efficacy(lm/W)
7000K(Full on)	16270	685	24

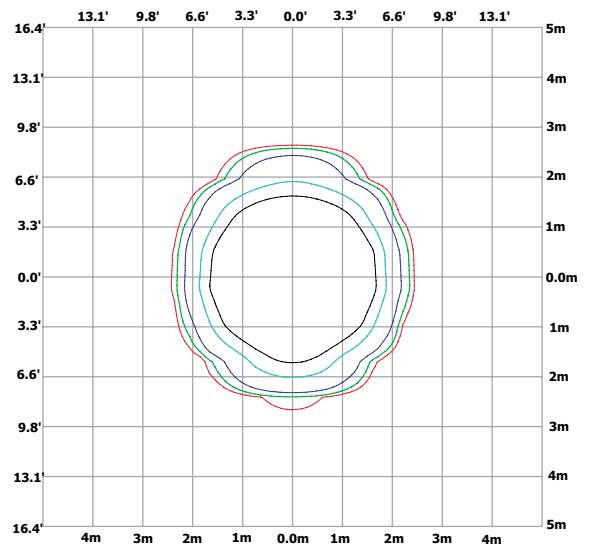
### Full intensity in 7000K



### Light distribution



### Isolux diagram



At 10m distance

- 3% 46 lx
- 5% 77 lx
- 10% 154lx
- 30% 462lx
- 50% 770lx

# VI2600 Spot&Profile(spot mode)

## ▶ Photometric Data(Medium zoom)

### Luminaire specifications

Optical system: Zoom range from 7 to 48 degree @10%  
 Beam angle(50%): 20 degree  
 Field angle(10%): 22 degree  
 CRI: 82  
 CCT: 7000K  
 Tm30: Rf/80 Rg/94

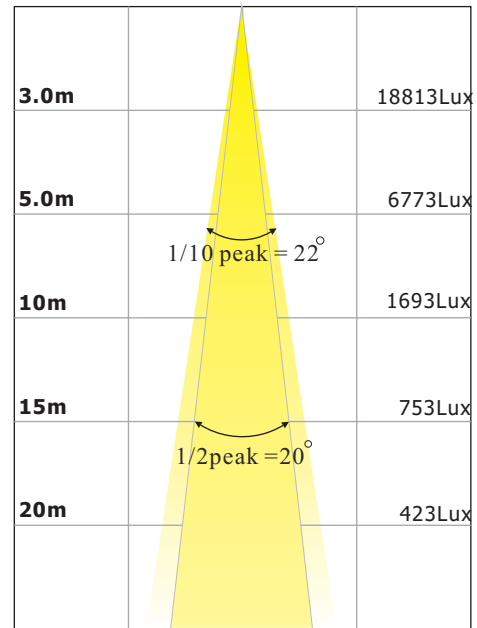
### Illuminance

DISTANCE	3m	5m	10m	15m
COLOR	Lux	Lux	Lux	Lux
7000K(Full on)	18813	6773	1693	753

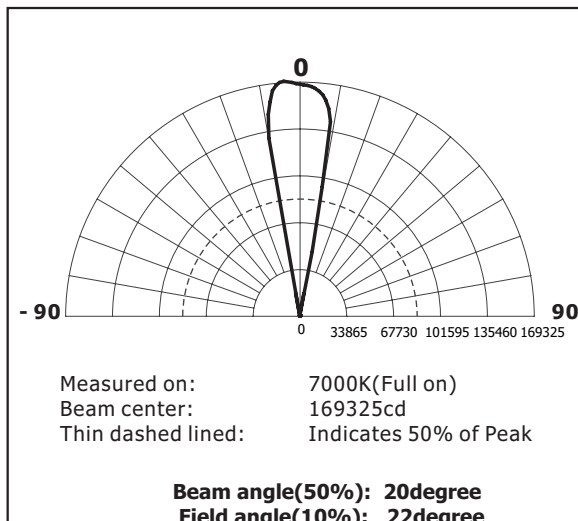
### Light output

COLOR	Total (lumens)	Power(watts)	Efficacy(lm/W)
7000K(Full on)	19102	685	28

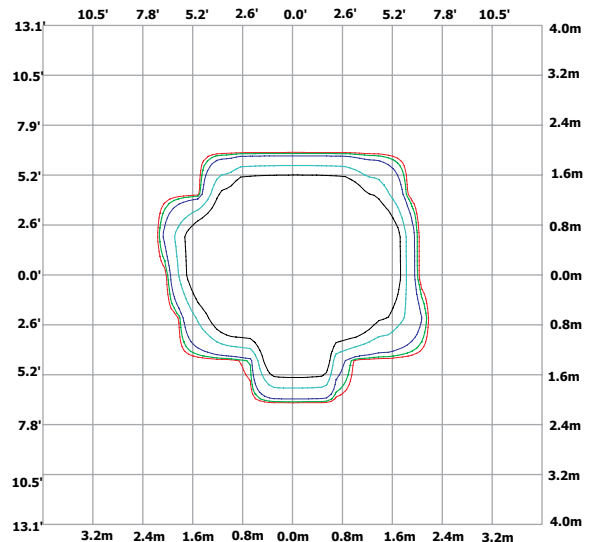
### Full intensity in 7000K



### Light distribution



### Isolux diagram



At 10m distance

- 3% 51lx
- 5% 85lx
- 10% 169lx
- 30% 508lx
- 50% 847lx

# VI2600 Spot&Profile(Frost)

## ▶ Photometric Data(Minimum zoom)

### Luminaire specifications

Optical system: Zoom lens system from 7degree to 48degree(10%)  
 Beam angle(50%): 5 degree  
 Field angle(10%): 8 degree  
 CRI: 82  
 CCT: 7000K  
 Tm30: Rf/80 Rg/94

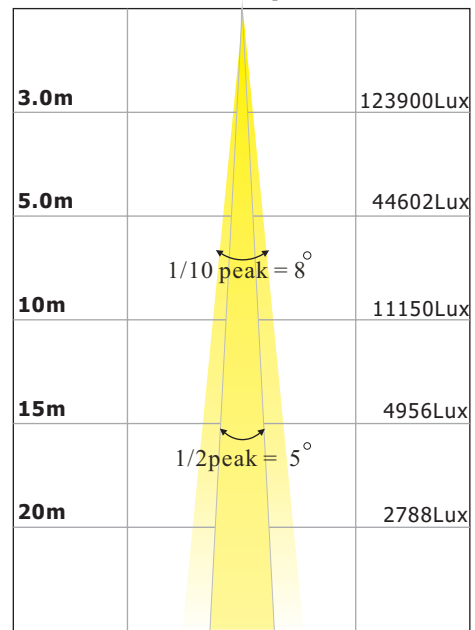
### Illuminance

DISTANCE	3m	5m	10m	15m
COLOR	Lux	Lux	Lux	Lux
7000K(Full on)	123900	44602	11150	4956

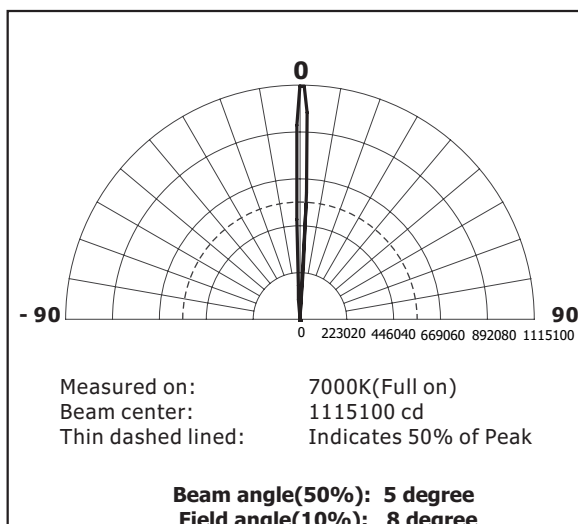
### Light output

COLOR	Total (lumens)	Power(watts)	Efficacy(lm/W)
7000K(Full on)	12310	685	18

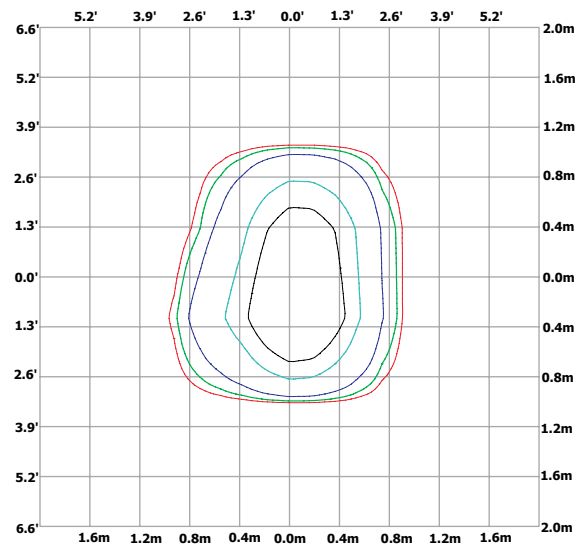
### Full intensity in 7000K



### Light distribution



### Isolux diagram



At 10m distance

- 3% 335 lx
- 5% 558 lx
- 10% 1115lx
- 30% 3345lx
- 50% 5575lx

# VI2600 Spot&Profile(spot mode)

## ▶ Photometric Data(Minimum zoom)

### Luminaire specifications

Optical system: Zoom range from 7 to 48 degree @10%  
 Beam angle(50%): 6 degree  
 Field angle(10%): 7 degree  
 CRI: 82  
 CCT: 7000K  
 Tm30: Rf/80 Rg/94

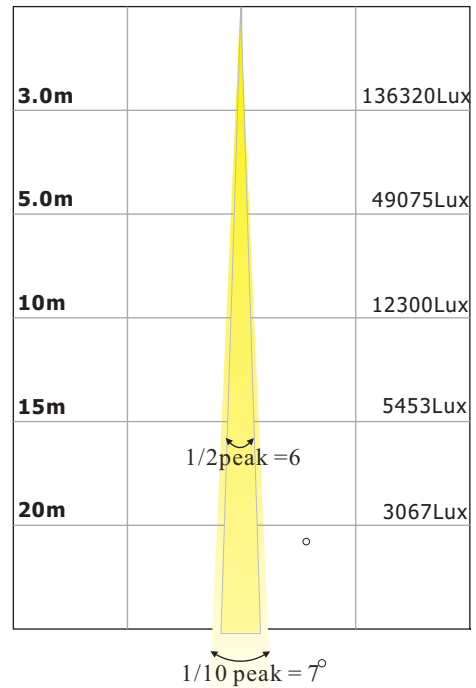
### Illuminance

DISTANCE	3m	5m	10m	15m
<b>COLOR</b>	<b>Lux</b>	<b>Lux</b>	<b>Lux</b>	<b>Lux</b>
<b>7000K(Full on)</b>	136320	49075	12300	5453

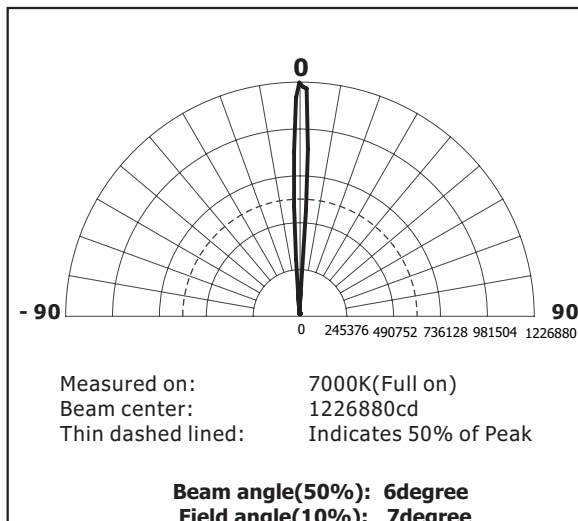
### Light output

COLOR	Total (lumens)	Power(watts)	Efficacy(lm/W)
7000K(Full on)	14200	685	21

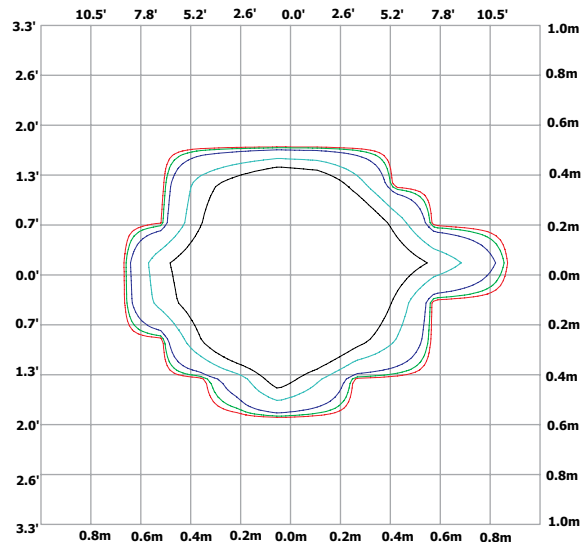
### Full intensity in 7000K



### Light distribution



### Isolux diagram



At 10m distance

- 3% 369lx
- 5% 615lx
- 10% 1230lx
- 30% 3690lx
- 50% 6150lx