

VARI*LITE

VL2600 WASH



The VL2600 Wash is designed with top-class performance and cost-effective ownership in mind. It produces 22,000 lumens of high color temperature, high contrast light output from its state-of-the-art 550W light engine, with a class-leading zoom range of 12-63°.

The VL2600 Wash includes an internal, beam-shaping framing system and has an adjustable beam edge feature (PC or Fresnel). It also expands on the color range of the VL2500, offering a broader choice of saturated colors whilst maintaining the familiar Vari-Lite color pallet from a CMY color system with variable CTO adjustment, plus a 7-color fixed wheel. Compact, lightweight, fast and accurate, the VL2600 Wash is engineered to be easy to use, prep and maintain.

The VL2600 Wash is one of three luminaires designed as the LED generation update for the popular VL2500 Series. A full system lighting solution with dedicated Spot, Wash and Profile fixtures, the VL2600 range combines Vari-Lite quality and performance with the latest LED technology, all engineered to deliver the best possible package to the mid-sized show lighting segment.





VL2600 WASH

FEATURES AND BENEFITS

- Lower power consumption - approx. 820W (550W LED engine)
- High output - 22,000 lumens
- High color temperature - 7200 CCT
- Good color rendering:
 - CRI 81
 - TM30 Rf/80 Rg/94
- Wide zoom range - 12° to 63°
- Color mixing - CMY + variable CTO
- Fixed color wheel (7 + open)
- Adjustable beam edge - PC to Fresnel
- Beam-shaping framing system
- Compact design
 - 465 x 300 x 705mm (18 x 12 x 28in).
 - Weight 30.2kg (66.5lb)
- Fast and accurate movement (FP=3s, FT=2s)

LIMITED WARRANTY

Every Vari-Lite product is backed by a minimum 2-year limited warranty against manufacturing defects and workmanship. Refer to the Vari-Lite Limited Warranty Card available at www.vari-lite.com/global/support/warranty for more details.

VL2600 WASH

SOURCE

Type	LED
Wattage	550W

OPTICAL PERFORMANCE

Lumen output (max.)	22,000	
Source color temperature	8000K	
Output color temperature	7200K	
CRI / Ra	82	
TM30	Rf/80 Rg/94	
Lux 7° beam @ 5m / 16.41ft	37,137	3,450 Fc
Lux 48° beam @ 5m / 16.41ft	9,284	863 Fc
Lux 7° beam @ 10m / 32.8ft	1,789	166 Fc
Lux 48° beam @ 5m / 32.8ft	447	42 FC
Dimmer / strobe	Electronic 16-bit	

BEAM

Narrow zoom angle	12°
Widest zoom angle 63°	63°
Shutter / framing	4 blades ± 90° rotation
Beam softening	PC and Fresnel optics

COLOR

Color system	CMY, Variable CTO 1 x fixed color wheels 7 + open
---------------------	--

MOVEMENT

Pan	540°
Tilt	270°
Pan / Tilt speed	3.4s / 2.5s

COOLING

Fan	Continuous
Modes	Standard / Studio
Variable speed fan control by DMX	Yes



NOISE LEVELS BASE LEVEL 30DB

1m / 3.3ft Full operation	48.5 Standard mode full output dB
----------------------------------	-----------------------------------

POWER

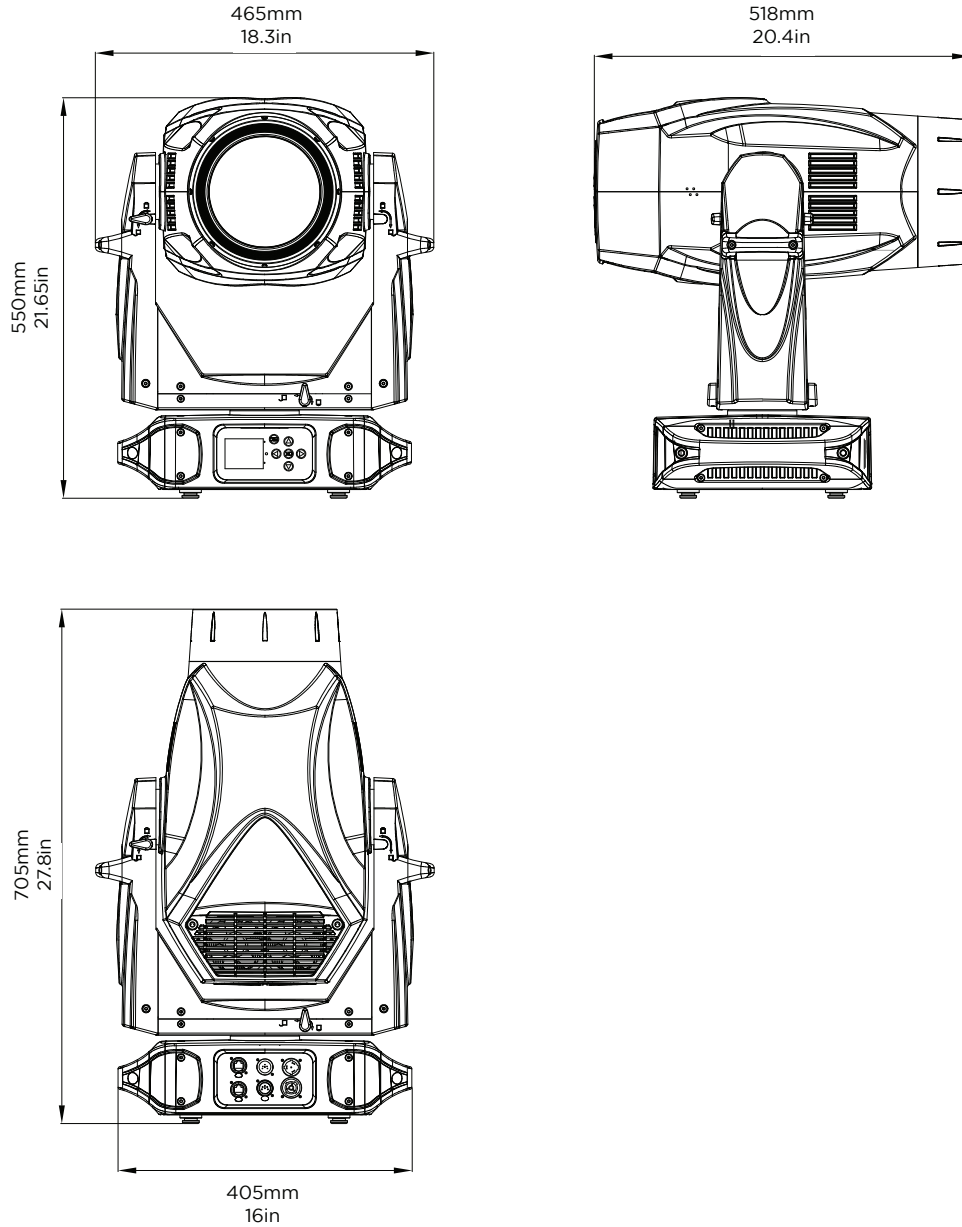
Operating voltage	100-240VAC 50/60Hz
--------------------------	--------------------

VL2600 WASH

DATA CONNECTIONS		
RJ45 data point	Yes	
DATA PROTOCOLS		
DMX (RDM)	32 /29 channels	
ArtNET	Yes	
PHYSICALS		
IP rating	IP20	
Finish	Black	
Construction	Metal frame, plastic covers	
Hanging	VL rails	
ENVIRONMENT		
	°C	°F
Operating temperature	-10-45°	14-113°
DIMENSIONS		
	mm	in
H x W x L	465 x 300 x 705	18 x 12 x28
Hanging centers	500	20
WEIGHT		
	kg	lb
Fixture only	30.2	66.5
APPROBATIONS		
Approvals / listings	CE, ETL, UL, FCC CSA, RoHS, ISO 9001	 

PRODUCT NAME	ORDER CODE
Vari-Lite VL2600 Wash Fixture Black Body (Includes rails and power input connector)	88-105-7340-00
Vari-Lite VL2600 Wash Fixture White Body (Includes rails and power input connector)	88-105-7340-10
Luminaire programming kit	PEGASUS

VL2600 WASH



©2020 Signify Holding. All rights reserved.

All trademarks are owned by Signify Holding or their respective owners. The information provided herein is subject to change, without notice. Signify does not give any representation or warranty as to the accuracy or completeness of the information included herein and shall not be liable for any action in reliance thereon. The information presented in this document is not intended as any commercial offer and does not form part of any quotation or contract, unless otherwise agreed by Signify. Data subject to change.

Ref: 88-105-7340-00-Vari-Lite-v01