

VARI\***LITE**



**VL 2600 Profile/Spot/Wash  
Luminaire QuickStart Guide**

# Introduction

---

## About This Guide

This Quickstart Guide is intended for a knowledgeable user to unpack, install, and use the VL2600 Profile/Spot/Wash Luminaire in a short time period. For the complete manual in PDF format, please visit our web site at: [www.Vari-Lite.com](http://www.Vari-Lite.com) and click the user manual download link on the product downloads page. The complete manual provides you all information related to accessories, menu structures, DMX channel mapping/modes, and care for your new luminaire.

Read this manual in its entirety before operating luminaire. Keep this guide for future reference.

---

---



**WARNING:** It is important to read ALL accompanying safety and installation instructions to avoid damage to the product and potential injury to yourself or others. **AVERTISSEMENT:** Il est important de lire toutes les instructions de sécurité et d'installation d'accompagnement pour éviter d'endommager le produit et les risques de blessures à vous-même ou les autres.

---

---

### Notes:

- For complete product description, features, and specifications, refer to product datasheet on the Vari-Lite web site at [www.Vari-Lite.com](http://www.Vari-Lite.com)
- For power requirements, refer to “**Current vs. Voltage**” on page 14.
- VL 2600 Luminaires accept glass gobos only. Use of metal gobos will void the luminaire’s warranty.



---

## Additional Documentation

For more information on installing DMX512 control systems, the following publication is available for purchase from the United States Institute for Theatre Technology (USITT), “Recommended Practice for DMX512: A Guide for Users and Installers, 2nd edition” (ISBN: 9780955703522). USITT Contact Information:

### USITT

315 South Crouse Avenue, Suite 200

Syracuse, New York 13210-1844 USA

Phone: 800-938-7488 or +1-315-463-6463

Fax: 866-398-7488 or +1-315-463-6525

Web Site: [www.usitt.org](http://www.usitt.org)

---

## Customer Service

### Our Goal

At Vari-Lite, we are committed to providing you the highest quality in customer service. Our comprehensive resources are available to help your business succeed and ensure you get the full benefit of being a Vari-Lite customer. Whether your needs are telephone troubleshooting assistance, product training or technical service, our full-time staff of experienced professionals are on-hand to provide support.

## VARI\*LITE - VL 2600 PROFILE/SPOT/WASH LUMINAIRE QUICKSTART GUIDE

### How to Reach Us

For assistance in your area, call the dealer from which your product was purchased.

*or* Contact an Authorized Service Center

*or* Contact the Vari-Lite Customer Service Department, 7am - 6pm CST Monday through Friday, at the following:

phone: 1-877-VARI-LITE (1-877-827-4548) or +1-214-647-7880

e-mail: [entertainment.service@signify.com](mailto:entertainment.service@signify.com)

---

**Note:** Performing maintenance procedures may void the product warranty. Refer to the Vari-Lite Limited Warranty card included in the product shipping package for more information. For all service and maintenance issues, please contact your local Authorized VARI\*LITE Dealer or Service Center.

---

### Additional Resources

For additional resources and documentation on this product, please visit our website at [www.Vari-Lite.com](http://www.Vari-Lite.com) and follow the Support link.

Document Number: **02.1711.0022**

Version as of: **May 29 2018**

VL 2600 Profile/Spot/Wash Luminaire QuickStart Guide

©2018 Signify Holdings. All rights reserved.

## Compliance & Safety Notices

---

### Compliance

#### SAFETY Standards

We, Signify, 10911 Petal Street, Dallas, Texas 75238 declare under our responsibility for the products contained herein are in conformity with the essential requirements of the following European Directives and Safety standards for United States and Canada.

EN 60598-1:2015

#### EMC Standards

This equipment has been tested and found to comply with the limits for a Class B digital device pursuant to Part 15 of FCC Rules. These limits are designed to provide reasonable protection against harmful interference when this equipment is operated in a commercial environment. This equipment generates, uses, and can radiate radio frequency energy and, if not installed and used in accordance with Vari-Lite system, service, and safety guidelines, may cause harmful interference to radio communications.

47CFR FCC Part 15 Class B 2016

EN 61547:2009

EN 55015:2013

ICES-003: 2016

UL 1573 Issue: 2003/05/29 Ed: 4 Rev: 2016/12/22

CSA C22.2#166:2015 Ed.2

---

### Safety Notice

It is extremely important to read ALL safety information and instructions provided in this manual and any accompanying documentation before installing and operating the products described herein. Heed all cautions and warnings during installation and use of this product.

Safety symbols used throughout this manual are as follows:



**CAUTION** advising of potential damage to product.



**WARNING** advising of potential injury or death to persons.

GENERAL INFORMATION PERTAINING TO PROTECTION AGAINST ELECTRICAL SHOCK, FIRE, EXPOSURE TO EXCESSIVE UV RADIATION, AND INJURY TO PERSONS CAN BE FOUND BELOW.

**WARNING:**

**INSTRUCTIONS FOR CONTINUED PROTECTION AGAINST FIRE**

1. VARI\*LITE luminaires have been designed for use with specific lamp types. The VL 2600 Profile/Spot/Wash Luminaire requires a certain type of lamp (see “[Replacement Items/Accessories](#)” on page 8 for all lamp types). Installing another type or unapproved lamp may be hazardous.
2. Luminaires may be mounted on any type of surface as long as mounting instructions are followed. See instructions detailed in this manual.
3. Note distance requirement from combustible materials or illuminated objects for VARI\*LITE luminaires.
4. Four units is the maximum number of fixtures that may be interconnected at 220-240V(15A).

**WARNING:**

**INSTRUCTIONS FOR CONTINUED PROTECTION AGAINST ELECTRICAL SHOCK**

1. VARI\*LITE luminaires are designed for dry locations only. Exposure to rain or moisture may damage luminaire.
2. Disconnect power before servicing any VARI\*LITE equipment.
3. Servicing to be performed by qualified personnel only.
4. If the external flexible cable or cord of the luminaire is damaged, it must be replaced by the manufacturer or authorized service center.

**WARNING:**

**INSTRUCTIONS FOR CONTINUED PROTECTION AGAINST EXCESSIVE EXPOSURE TO UV RADIATION**

1. Many VARI\*LITE luminaires use a lamp that produces UV radiation. DO NOT look directly at lamp.
2. It is hazardous to operate luminaires without lens or shield. Shields, lenses, or ultraviolet screens shall be changed if they have become visibly damaged to such an extent that their effectiveness is impaired. For example, by cracks or deep scratches. Replace any cracked or protective shields.



**WARNING:**

**INSTRUCTIONS FOR PROTECTION AGAINST INJURY TO PERSONS**

1. Exterior surfaces of the luminaire will be hot during operation. Use appropriate safety equipment (gloves, eye protection, etc.) when handling and adjusting hot equipment and components.
2. Luminaires will have a hot lamp when operating. Disconnect power and allow lamp to cool before replacing.
3. Arc lamps emit ultraviolet radiation which can cause serious skin burn and eye inflammation. Additionally, arc lamps operate under high pressure at very high temperatures. Should the lamp break, there can exist a danger of personal injury and/or fire from broken lamp particles being discharged.
4. Wear eye protection when relamping.
5. Appropriate safety equipment (gloves, eye protection) should be used when handling damaged lamps.
6. If lamp is touched with bare hands, clean lamp with denatured alcohol and wipe with lint-free cloth before installing or powering up the luminaire.
7. The lamp shall be changed if it has become damaged or thermally deformed.

**WARNING:**

**RF INTERFERENCE**

This is a Class A product. In a domestic environment this product may cause radio interference, in which case, the user may be required to take adequate measures.

## Notes de sécurité

Avant de procéder à l'installation des produits décrits dans ce guide et de les mettre en marche, il est extrêmement important de lire TOUS les renseignements et TOUTES les directives de sécurité contenues dans ce guide ainsi que toute documentation jointe. Tenir compte de tous les avertissements et suivre toutes les précautions pendant l'installation et l'utilisation de cet appareil.

Les symboles de sécurité utilisés dans ce guide sont les suivants :



**ATTENTION** Ce symbole annonce que l'appareil risque d'être endommagé.



**AVERTISSEMENT** Ce symbole annonce qu'il y a risque d'accident grave ou même fatal.

CETTE SECTION CONTIENT DES INFORMATIONS GÉNÉRALES POUR SE PROTÉGER CONTRE LES DÉCHARGES ÉLECTRIQUES, LES INCENDIES, L'EXPOSITION EXCESSIVE AUX RAYONS UV ET TOUT AUTRE ACCIDENT POUVANT ENTRAÎNER DES BLESSURES.

### **AVERTISSEMENT:**

#### **DIRECTIVES POUR SE PROTÉGER CONTRE LES INCENDIES**

1. Les luminaires VARI\*LITE ont été conçus pour être utilisés uniquement avec certaines type de lampes. Vérifier le type de lampe avant de remplacer les lampes. L'installation d'un autre type de lampe peut poser un danger.
2. Les luminaires peuvent être fixés sur tout type de surface tant que les directives de montage sont respectées. Voir les explications détaillées dans ce guide.
3. Vérifier la distance à respecter entre les matériaux combustibles ou les objets illuminés et les luminaires VARI\*LITE.

### **AVERTISSEMENT:**

#### **DIRECTIVES POUR SE PROTÉGER CONTRE LES DÉCHARGES ÉLECTRIQUES**

1. Les luminaires VARI\*LITE sont conçus pour une utilisation au sec uniquement. Une exposition à la pluie et à l'humidité risque d'endommager le luminaire.
2. Débrancher l'appareil avant de procéder à la révision de tout matériel VARI\*LITE.
3. Les révisions doivent être effectuées uniquement par des personnes qualifiées.

### **AVERTISSEMENT:**

#### **DIRECTIVES POUR SE PROTÉGER CONTRE UNE EXPOSITION EXCESSIVE AUX RAYONS UV**

1. Plusieurs luminaires VARI\*LITE utilisent une lampe qui produit des rayons UV. NE PAS fixer son regard sur la lampe.
2. L'utilisation des luminaires sans lentille ou blindage pose des risques. Tous blindages, lentilles ou écrans ultraviolet visiblement endommagés au point que leur efficacité en est affectée doivent être remplacés, par exemple s'il y a des fissures ou de profondes rayures.

### **AVERTISSEMENT:**

#### **DIRECTIVES POUR SE PROTÉGER CONTRE LES ACCIDENTS POUVANT ENTRAÎNER DES BLESSURES**

1. Les surfaces externes du luminaire deviennent brûlantes quand l'appareil est en marche. Pour manœuvrer ou ajuster des appareils brûlants et leurs composants, se protéger suffisamment (gants, protection pour les yeux, etc.).
2. La lampe du luminaire est brûlante lorsqu'il est en marche. Débrancher le courant et attendre que la lampe ait refroidi avant de la remplacer.
3. Les lampes à arc émettent des rayons ultraviolets pouvant causer de graves brûlures sur la peau et une inflammation des yeux. De plus, les lampes à arc fonctionnent sous haute tension à de très hautes températures. Si la lampe se casse, les particules de la lampe cassée peuvent causer blessures et/ou incendie en s'éparpillant.
4. Se protéger les yeux pour remplacer la lampe.
5. Utiliser des appareils de protection appropriés (gants, protection des yeux) pour manier des lampes endommagées.
6. Si la lampe a été touchée avec des mains nues, la nettoyer avec de l'alcool dénaturé et l'essuyer avec un chiffon non-pelucheux avant d'installer ou de brancher le luminaire.

7. Si la lampe a été endommagée ou a reçu une déformation thermique, elle doit être remplacée.

**AVERTISSEMENT:  
INTERFÉRENCE RF**

Cet appareil est de Classe A. Dans un environnement domestique, cet appareil peut causer des interférences radio, et si c'est le cas, l'utilisateur peut avoir à prendre des mesures adéquates.

Other

**Operational Temperature / Température de fonctionnement**

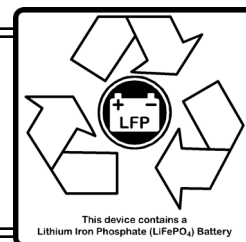
- The VL 2600 Profile/Spot/Wash Luminaire has one operational mode. Refer to [Table 1-1, “VL 2600 Environmental Operational Temperatures”](#) for information on environment temperature ranges associated with this mode.
- Le VL 2600 Profile/Spot/Wash Luminaire a un mode opérationnel. Reportez-vous à [Table 1-1, “VL 2600 Environmental Operational Temperatures”](#) pour des informations sur les plages de température environnementales associées à ce mode.

**Table 1-1: VL 2600 Environmental Operational Temperatures**

Minimum to Maximum Environmental Temperature	
C	F
-20° to 50°	-4° to 122°

**Battery Information / Informations sur la batterie**

**WARNING:** This unit has a battery. Warning: Caution risk of explosion if battery is replaced by an incorrect type. Dispose of used batteries according to the instructions. **AVERTISSEMENT:** Cet appareil dispose d'une batterie. Attention risque d'explosion si la batterie de remplacement par un type incorrect. Jetez les piles usagées selon les instructions.



Part Numbers

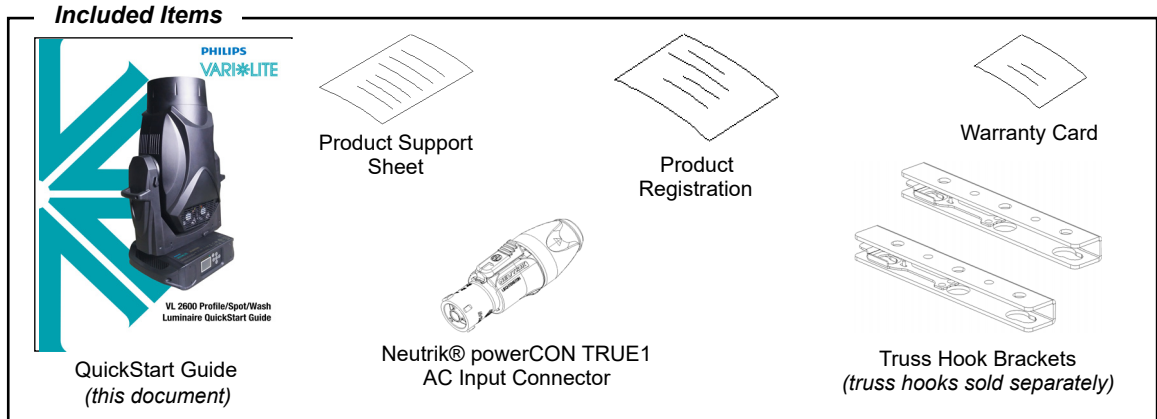
VL 2600 Part Numbers	
VL 2600 Profile	88-105-7270-00
VL 2600 Spot	88-105-6950-00
VL 2600 Wash	88-105-7340-00

**VARI\*LITE - VL 2600 PROFILE/SPOT/WASH LUMINAIRE QUICKSTART GUIDE**

About the VL 2600 Profile/Spot/Wash Luminaire

**Included Items**

The following illustration shows all items included with the luminaire:



**Replacement Items/Accessories**

The following optional and/or replacement items can be ordered directly from your Authorized VARI\*LITE Dealer. When ordering, please order by the Vari-Lite part number.

Vari-Lite Part No.	Accessory
PCT1BE	AC Input Cable, Neutrik® powerCON® True1 with Bare End (no connector), 1 Meter
PC1GTL208	AC Input Cable, Neutrik® powerCON® True1 with Twist Lock (Male), 250V, 1 Meter
PCT1GP	AC Input Cable, Neutrik® powerCON® True1 with Stage Pin (Male), 1 Meter
PEGASUS	Luminaire Programming Software
22.9620.0194	Safety Cable Assembly
25.9661.0057	DMX Termination Connector Assembly
55.6840.0001	Truss Hook, Mega-Clamp, Round and Square
55.6841.0001	Truss Hook, Mega-Claw for 2" Round Tube

**Note:** For approved lamp types, see the latest version of Vari-Lite technical notice TN-248 in the product downloads section on the Vari-Lite web site, [www.Vari-Lite.com](http://www.Vari-Lite.com)

**Note:** Please check with Vari-Lite or Authorized Vari\*Lite Dealer for availability on accessories.

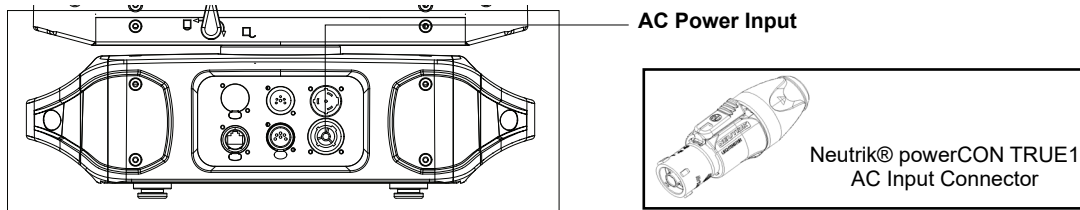


## Connecting Power and Data

### Connecting Power

The luminaire requires standard AC power distribution from 200-240 VAC, 50/60 Hz. Current required depends on the AC supply voltage and product model. Refer to “Current vs. Voltage” on page 9 for all models covered in this manual.

**Note:** The mating Neutrik® powerCON® True1 connector is supplied; however, you will need to purchase or construct a cable appropriate for your application. Available power input cables is found in “Replacement Items/Accessories” on page 8.



**Figure 1: Power Connector**

Depending on the application, the luminaire’s AC input cable may require a different connector. If required, install a new connector meeting your requirements using the following wire color code reference:

Wire*	Connection
Green/Yellow	AC Ground
Blue	AC Neutral
Brown	AC Line
* International (Harmonized) Standard	

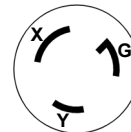


**WARNING:** DO NOT connect to three-phase service in countries with 240 volt power.

**AVERTISSEMENT:** NE PAS se connecter au service en trois phases dans les pays avec puissance de 240 volts.

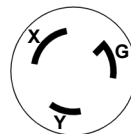
For single-phase power at 240 volts RMS:

Connection	Pin
AC Neutral	X
AC Line	Y
Ground (Earth)	G



For three-phase power at 200 volts RMS:

Connection	Pin
Phase 1	X
Phase 2	Y
Ground (Earth)	G





**WARNING:** It is not recommended to power any VARI\*LITE luminaire from a dimmer - even in 'NONDIM' mode. Dimmer and non-dim modules are not suitable sources of power because their output modifies the AC wave form. This may work for a short time, but will eventually result in power problems, luminaire mis-operation and/or failure and may void the luminaire's warranty.

**AVERTISSEMENT:** Il n'est pas recommandé pour alimenter un luminaire VARI\*LITE d'un gradateur - même en mode 'NONDIM'. Modules de gradation et non sombres ne sont pas des sources appropriées de pouvoir parce que leur production modifie la forme d'onde AC. Cela peut fonctionner pendant une courte période, mais finira par entraîner des problèmes d'alimentation, luminaires mauvais fonctionnement et / ou l'échec et peut annuler la garantie de l'appareil.

### Current vs. Voltage

Table 1-2, VL 2600 Profile/Spot/Wash Luminaire - Current vs. Voltage (550W Lamp) provides the luminaire's current draw at specific voltages. Total Luminaire Current is calculated with the lamp on and all motors sequencing.



**WARNING:** It is the responsibility of the user to adequately protect supply source with a correct size and type circuit breaker and not overload circuits. **AVERTISSEMENT:** Il est de la responsabilité de l'utilisateur de protéger adéquatement la source d'alimentation avec une taille correcte et le disjoncteur de type et surchargez pas les circuits.

**Table 1-2: VL 2600 Profile/Spot/Wash Luminaire - Current vs. Voltage (550W Lamp)**

AC Voltage at 60Hz	Total Luminaire Current (Motor + Lamp Current)		
	Profile	Spot	Wash
100V	7.8A	7.5A	7.1A
110V	7.0A	6.7A	6.3A
120V	6.4A	6.1A	5.8A
130V	5.9A	5.6A	5.3A
200V	3.8A	3.6A	3.4A
210V	3.6A	3.5A	3.3A
220V	3.4A	3.3A	3.1A
230V	3.3A	3.2A	3.0A
240V	3.2A	3.1A	2.9A

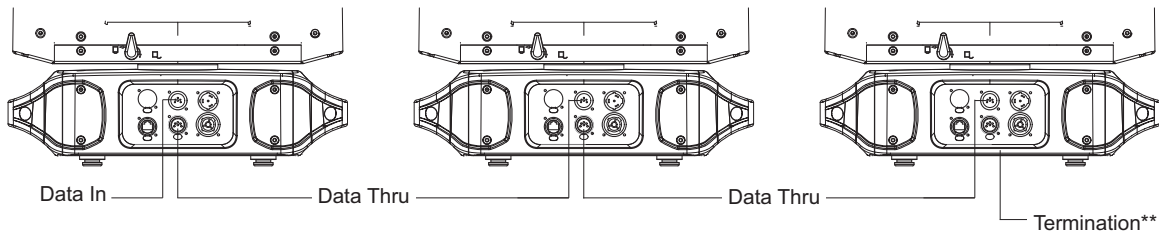
### Connecting Data

A maximum of 32 luminaires may be connected in any one DMX data link.

**Note:** This maximum limit applies to the luminaire "daisy chain" only. Your system or console may require fewer luminaires on a single data link path. Consult your console documentation for more information.

**To connect power and data:**

- Step 1. Connect data cable from console to first luminaire in chain at DATA IN connector.
- Step 2. If required, connect additional data cables from DATA THRU connectors to DATA IN connectors of remaining luminaires in link.
- Step 3. At last luminaire in link, install male termination connector at DATA THRU connector. (Luminaires and other devices on the same DMX chain may not function properly without termination.)



VL 2600 Profile/Spot/Wash Luminaire Channel Requirements*		
DMX512 Channels	Description	Menu Display
23 Channels	16-Bit Mode (default)	16

\*\*DMX terminator required for last fixture on DMX line.

**Figure 2: Data Link**

- Step 4. Connect AC Input Cable connector to power input source.
- Step 5. Dress AC input and data cables and secure them so that they will not interfere with luminaire head and yoke movement.

# Installation Procedures

---

## Floor Mounting the Luminaire

All luminaires included in this manual are designed to sit directly on its base in a floor installation application. When used in this type of application, be sure to leave enough space around the luminaire to allow proper, uninterrupted airflow for cooling and movement.

---

## Hanging the Luminaire

The VL 2600 Profile/Spot/Wash Luminaire can be hung horizontally or vertically from any structure designed to work with the type of load created by this moving luminaire. Two mounting truss hooks or other mounting hardware are required. Many compatible truss hooks are available from different manufacturers for your particular needs.

A minimum of two hooks per luminaire is required. If mounting method does not use truss hooks, two attachment points, per luminaire, are required.

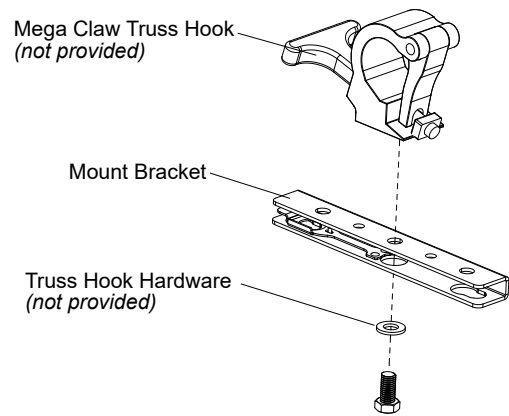
### ***Install mounting hardware and brackets:***

- Step 1. Install truss hooks on two provided truss hook brackets as required as shown in **Figure 3**.
- 

**Note:** Various types of truss hooks can be used. The Mega Claw truss hook (as shown in the example above) as well as many other standard hooks, can be ordered separately.

---

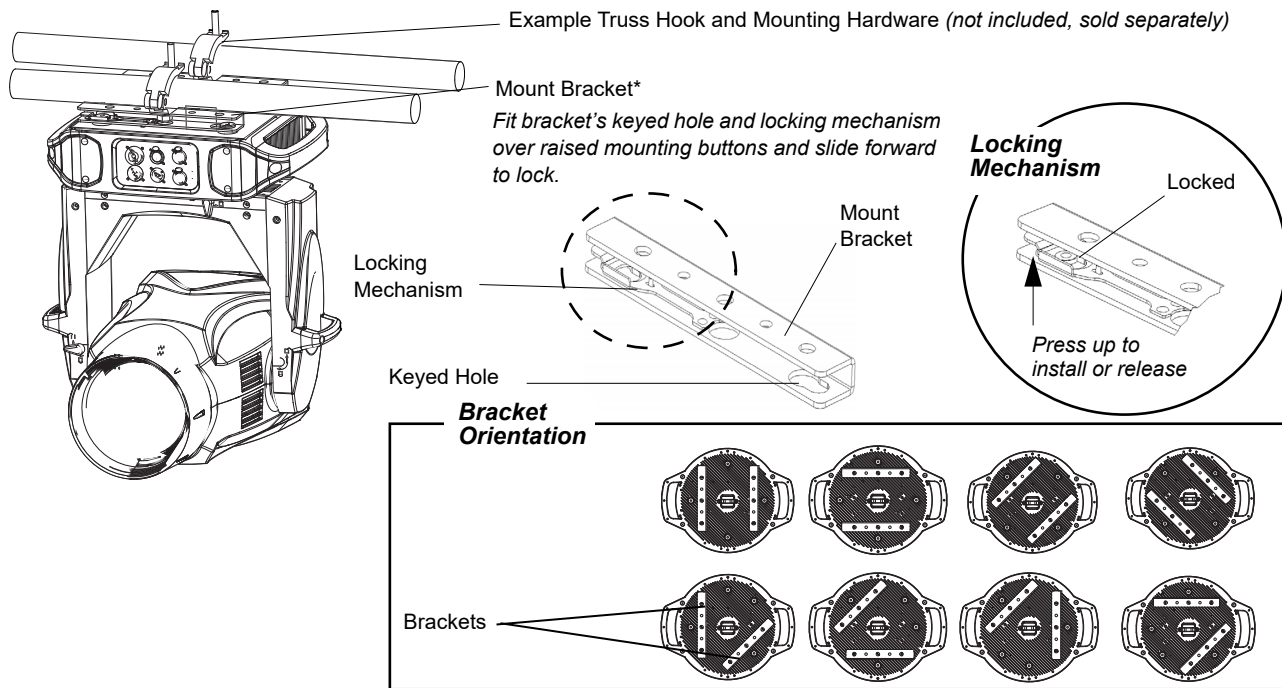
- Step 2. Determine required configuration of bracket installation. Brackets may be installed in many different orientations as shown in **Figure 4**.
- Step 3. While pulling up on locking mechanism release, fit keyed holes onto raised mounting buttons at bottom of enclosure. Slide forward and release locking mechanism to lock in place. Ensure brackets are locked securely.



**Figure 3: Truss Hook Installation**



**WARNING:** Ensure that the bracket locking mechanism is fully seated after the bracket is installed on the luminaire.




**Figure 4: Installing Brackets on Luminaire Enclosure**

***Installing in Truss:***

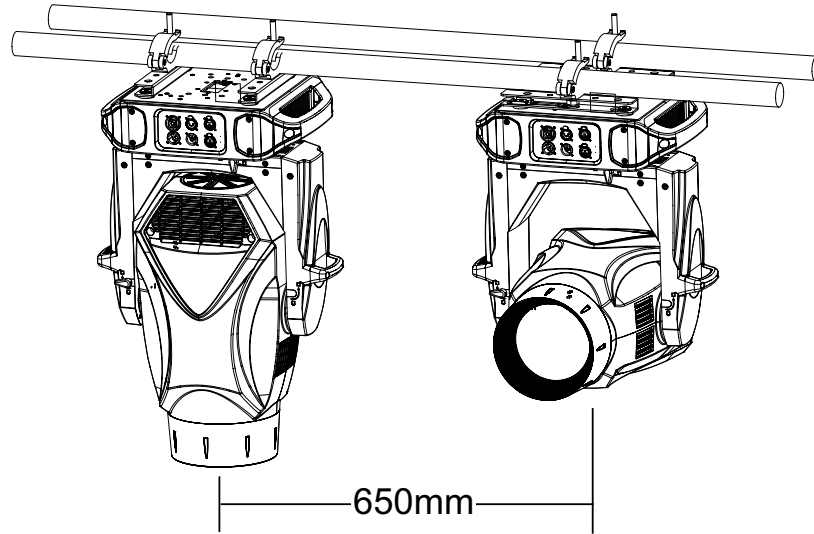
- Step 1. Using two people, lift luminaire into mounting position.
- Step 2. Secure in place with truss hook. Ensure truss hook hardware that locks hook in place (e.g. wing bolt) is properly tightened and that luminaire is fully supported.
- Step 3. Attach safety cable (as required) as follows (refer to Figure 5):
  - a. Loop safety cable at least once around safety cable anchor point rod.

- b. Loop safety cable at least once around truss/pipe and secure around pipe.

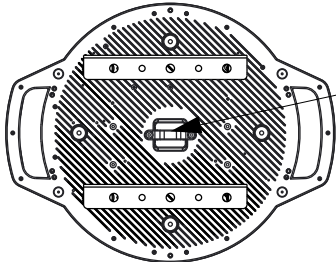


**Safety Cable:** Recommended for hanging installations. May be required by local codes. Safety cable is sold separately.

**Câble de sécurité:** Recommandé pour les installations pendaison. Peut être exigé par les codes locaux. Câble de sécurité est vendu séparément.



Note, truss hooks shown are sold separately. Truss and pipe by others.



Safety Cable Anchor Point

**NOTE:** The safety cable anchor point is tested and is in compliance of the following safety standards:

- IEC / EN 60598-1:2015

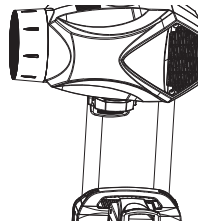
**Figure 5: Safety Cable Installation / Luminaire Hanging**

- Step 4. Make sure tilt and pan locks are disengaged so luminaire moves freely.
- Step 5. Connect power and data cables according to procedure given in [“Connecting Data” on page 9.](#)

When hanging the luminaire in a side hang position, orient the enclosure as shown in [Figure 6](#). Natural convection and the designed direction of the inlet and exhaust cooling fans dictate that the inlet should be closest to the floor and the exhaust should be towards the ceiling. This eliminates the possibility of one luminaire blowing exhaust air into the inlet of the luminaire next to it when the luminaires are side-by-side.

If the luminaires are stacked on top of one another in a side hang, a 45° enclosure orientation with the fan inlet closest to the floor is preferred. Refer to [Figure 6](#).

These two orientations in a side hang have the extra benefit of a stiffer pan interface in the luminaire.



**Figure 6: Dual Fixture Side Hang Orientation**

When hanging the luminaire in side hang orientation, it is recommended that the Configure/Pan-Tilt/Side Hang function is enabled. This setting optimizes the performance of the luminaire in side hang position.

***To enable Side Hang function:***

- Step 1. TBD
- Step 2. TBD
- Step 3. TBD
- Step 4. TBD

## Menu Operation

---

### LCD Display and Menu System

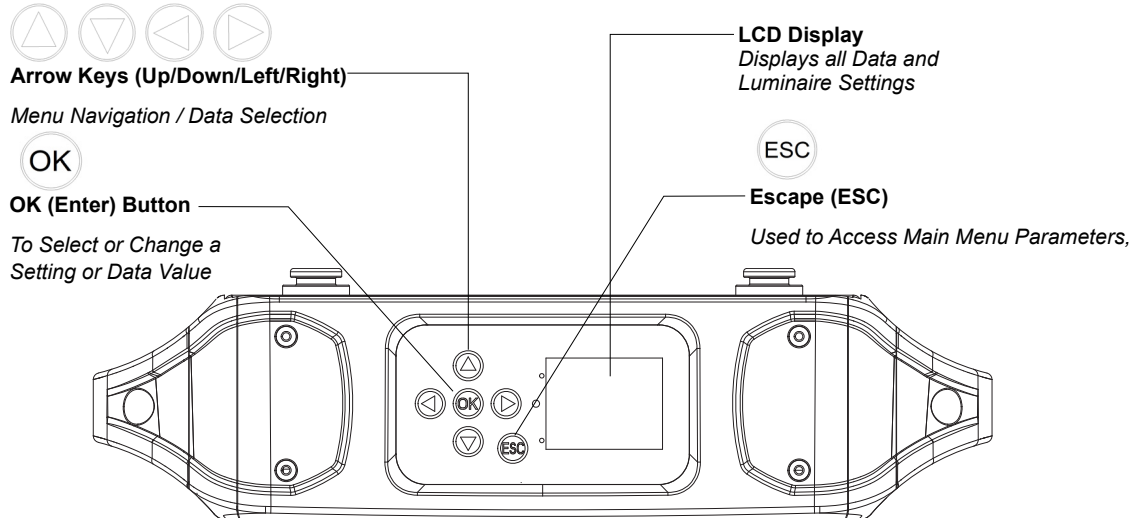
The VL 2600 Profile/Spot/Wash Luminaire's LCD Display and Menu System provides local control for accessing the following fixture's settings:

- Address – to set the DMX address
- Configure – various parameter settings, set luminaire ID
- Fixture – fixture status, recalibrate, reboot, software version, view fixtures hours, etc.
- DMX – change the map, set address, invert pan/tilt
- Service – password protected factory service menu
- Manual – manual control of parameters
- Test – test functions of parameters

The menu system is controlled at the Menu Display available at the enclosure input panel. If there are multiple luminaires in a system, any settings or changes would need to be made at each LCD Menu as desired.

## Menu Controls

The menu system is controlled by an OK (Enter), ESC (Escape), and four Arrow ( $\triangleleft$  $\triangle$  $\triangledown$  $\triangleright$ ) buttons. These buttons function are shown in Figure 7.



**Figure 7: Menu Control**

## LCD Display and Menu System Operation

The LCD Display Menu system consists of several categories. Use the Menu Buttons to access and make changes to the menu items. When the desired menu item is reached, press the desired Menu Button to display the menu options and to navigate and configure the menu options as required.

### *To navigate and access menu settings/selections:*

- Step 1. Make sure unit is powered and turned on.
- Step 2. Press [ESC] to access menu categories.
- Step 3. Use four Arrow ( $\triangleleft$  $\triangle$  $\triangledown$  $\triangleright$ ) buttons to navigate through the various options and settings.
- Step 4. Once menu item is reached, press OK [Enter] to access the menu item parameters.
- Step 5. Make changes to parameters as desired.
- Step 6. Press OK [Enter] button to accept changes.

## DMX Address

### *To set, edit, and save a DMX address:*

- Step 1. Press [ESC].
- Step 2. Press [Up] / [Down] arrows until Address (DMX Address) appears. Press OK [Enter].
- Step 3. Use [Left] and [Right] arrow buttons to scroll through all digits.
- Step 4. Once at desired digit, use [Up] and [Down] arrows to change highlighted digit.
- Step 5. Once digit is set, use [Left] and [Right] arrow buttons to set other digits in DMX address.
- Step 6. Once all digits are set in DMX address, press OK [Enter] to set.
- Step 7. DMX will display and is saved.



## Other LCD Display Features

### LCD Menu Battery Operation

The LCD menu system utilizes a battery powered system for operation when the luminaire is not connected to power. The primary purpose of this mode is to allow basic setup and configuration of the luminaire.

#### *To enable the battery operation of the menu system:*

- Step 1. Press and hold [ESC] and [OK] for two seconds.
- Step 2. Once enabled, the menu will function as normal with only the following sub-menu sections active:
- Address
  - Configure
  - Setup
  - DMX
  - Fixture

**Note:** Any commands that require full power (calibrate, lamp strike, etc.) will be ignored while the menu system is in battery operation mode.

- Step 3. To exit battery mode, press and hold [ESC] and [OK] for two seconds. *Note, luminaire will automatically exit this mode after one minute of inactivity.*

### Status Bar

The Status Bar (as illustrated in [Figure 8](#)) is present at all times and displays luminaire operational information of the luminaire. The Status Bar contains the following information:

- **LAMP** – indicates current lamp state - ON or OFF.
- **SHDN** – indicates shutdown time in hours. NO indicates no shutdown time.
- **ERRORS** – Displays a number indicating the total amount of current errors; can cycle through short text descriptions of each error. Example: “Pan” or “Gobol”. When errors are present, messages will appear in red text. When no errors are present, NO will display.
- **ADDR** – Displays the current DMX address for the fixture. NOTE, when the fixture does not detect a DMX input signal, the DMX address text will display in red text.



**Figure 8: LCD Display Status Bar**

## Quick Reference DMX Maps

The summary list DMX maps for the VL 2600 Profile are indicated in [Table 1-3](#) and [Table 1-4](#).

The summary list DMX maps for the VL 2600 Spot are indicated in [Table 1-5](#) and [Table 1-6](#).

The summary list DMX maps for the VL 2600 Wash are indicated in [Table 1-7](#) and [Table 1-8](#).

**VARI\*LITE - VL 2600 PROFILE/SPOT/WASH LUMINAIRE QUICKSTART GUIDE**

**Table 1-3: 16-Bit VL 2600 Profile 16-Bit Enhanced DMX Channel Summary Listing**

<b>DMX Channel</b>	<b>Description</b>	<b>DMX Channel</b>	<b>Description</b>	<b>DMX Channel</b>	<b>Description</b>
1, 2	Intensity	21	Gobo Wheel 2 (Fixed)	36	Frost
3, 4	Pan	22	Gobo Wheel 2 Control	37	Strobe Speed
5, 6	Tilt	23	Iris	38	Strobe Control
7, 8	Focus	24	Frame 1A	39	Dimmer Mode
9, 10	Zoom	25	Frame 1B	40	Focus Timing
11	Cyan	26	Frame 2A	41	Optics Timing
12	Yellow	27	Frame 2B	42	Color Timing
13	Magenta	28	Frame 3A	43	Beam Timing
14	CTO	29	Frame 3B	44	Gobo Timing
15	Color Wheel	30	Frame 4A	45	Fan Control
16	Color Wheel Control	31	Frame 4B	46	Optical Style
17	Gobo Wheel 1	32	Frame Rotate	47	Luminaire Control
18, 19	Gobo 1 Rot/Index	33	Triangular Prism		
20	Gobo Wheel 1 Control	34, 35	Prism Index/Rot		

**Table 1-4: 16-Bit VL 2600 Profile 16-Bit DMX Channel Summary Listing**

<b>DMX Channel</b>	<b>Description</b>	<b>DMX Channel</b>	<b>Description</b>	<b>DMX Channel</b>	<b>Description</b>
1, 2	Intensity	18, 19	Gobo 1 Rot/Index	31	Frame 4B
3, 4	Pan	20	Gobo Wheel 1 Control	32	Frame Rotate
5, 6	Tilt	21	Gobo Wheel 2 (Fixed)	33	Triangular Prism
7, 8	Focus	22	Gobo Wheel 2 Control	34, 35	Prism Index/Rot
9, 10	Zoom	23	Iris	36	Frost
11	Cyan	24	Frame 1A	37	Strobe Speed
12	Yellow	25	Frame 1B	38	Strobe Control
13	Magenta	26	Frame 2A	39	Dimmer Mode
14	CTO	27	Frame 2B	40	Fan Control
15	Color Wheel	28	Frame 3A	41	Luminaire Control
16	Color Wheel Control	29	Frame 3B		
17	Gobo Wheel 1	30	Frame 4A		

VARI\*LITE - VL 2600 PROFILE/SPOT/WASH LUMINAIRE QUICKSTART GUIDE

Table 1-5: 16-Bit VL 2600 Spot 16-Bit Enhanced DMX Channel Summary Listing

DMX Channel	Description	DMX Channel	Description	DMX Channel	Description
1, 2	Intensity	17	Gobo Wheel 1	31	Frost
3, 4	Pan	18, 19	Gobo 1 Rot/Index	32	Strobe Speed
5, 6	Tilt	20	Gobo Wheel 1 Control	33	Strobe Control
7, 8	Focus	21	Gobo Wheel 2	34	Dimmer Mode
9, 10	Zoom	22, 23	Gobo 2 Rot/Index	35	Focus Timing
11	Cyan	24	Gobo Wheel 2 (Control)	36	Optics Timing
12	Yellow	25	Gobo Wheel 3 (Fixed)	37	Color Timing
13	Magenta	26	Gobo Wheel 3 Control	38	Beam Timing
14	CTO	27	Iris	39	Gobo Timing
15	Color Wheel	28	Triangular Prism	40	Fan Control
16	Color Wheel Control	29, 30	Prism Index/Rot	41	Luminaire Control

Table 1-6: VL 2600 Spot 16-Bit DMX Channel Summary Listing

DMX Channel	Description	DMX Channel	Description	DMX Channel	Description
1, 2	Intensity	16	Color Wheel Control	28	Triangular Prism
3, 4	Pan	17	Gobo Wheel 1	29, 30	Prism Index/Rot
5, 6	Tilt	18, 19	Gobo 1 Rot/Index	31	Frost
7, 8	Focus	20	Gobo Wheel 1 Control	32	Strobe Speed
9, 10	Zoom	21	Gobo Wheel 2	33	Strobe Control
11	Cyan	22, 23	Gobo 2 Rot/Index	34	Dimmer Mode
12	Yellow	24	Gobo Wheel 2 (Control)	35	Fan Control
13	Magenta	25	Gobo Wheel 3 (Fixed)	36	Luminaire Control
14	CTO	26	Gobo Wheel 3 Control		
15	Color Wheel	27	Iris		

Table 1-7: VL 2600 Wash 16-Bit Enhanced DMX Channel Summary Listing

DMX Channel	Description	DMX Channel	Description	DMX Channel	Description
1, 2	Intensity	15	Frame 1A	25	Strobe Speed
3, 4	Pan	16	Frame 1B	26	Strobe Control
5, 6	Tilt	17	Frame 2A	27	Dimmer Mode
7, 8	Focus	18	Frame 2B	28	Focus Timing
9	Cyan	19	Frame 3A	29	Optics Timing
10	Yellow	20	Frame 3B	30	Color Timing
11	Magenta	21	Frame 4A	31	Fan Control
12	CTO	22	Frame 4B	32	Luminaire Control
13	Color Wheel	23	Frame Rotate		
14	Color Wheel Control	24	Frost		

**VARI\*LITE - VL 2600 PROFILE/SPOT/WASH LUMINAIRE QUICKSTART GUIDE**

**Table 1-8: VL 2600 Wash 16-Bit DMX Channel Summary Listing**

<b>DMX Channel</b>	<b>Description</b>	<b>DMX Channel</b>	<b>Description</b>	<b>DMX Channel</b>	<b>Description</b>
1, 2	Intensity	13	Color Wheel	21	Frame 4A
3, 4	Pan	14	Color Wheel Control	22	Frame 4B
5, 6	Pan	15	Frame 1A	23	Frame Rotate
7, 8	Zoom	16	Frame 1B	24	Frost
9	Cyan	17	Frame 2A	25	Strobe Speed
10	Yellow	18	Frame 2B	26	Strobe Control
11	Magenta	19	Frame 3A	27	Dimmer Mode
12	CTO	20	Frame 3B	32	Luminaire Control

Notes

VARI\*LITE

Vari-Lite  
10911 Petal Street  
Dallas, Texas 75238  
1.877.VARILITE  
1.214.647.7880  
[www.Vari-Lite.com](http://www.Vari-Lite.com)

©2018 Signify Holdings  
All rights reserved.

