



# NEO PLAYBACK AND SUBMASTER WINGS



Adding to our NEO family of products are the NEO Fader wings. NEO fader wings can be used to provide additional physical fader playback and submasters, depending upon model, to your NEO lighting control console.

The interconnection between each wing and the control console is via a USB connection and can be powered either directly from your NEO console or plugged directly into a common power outlet through an optional power supply.

We think you will find the NEO lighting control console and wings a worthy successor to a proud history of iconic consoles that have had the honor of bearing the Strand name.





# NEO PLAYBACK AND SUBMASTER WINGS

## FEATURES - PLAYBACK WING

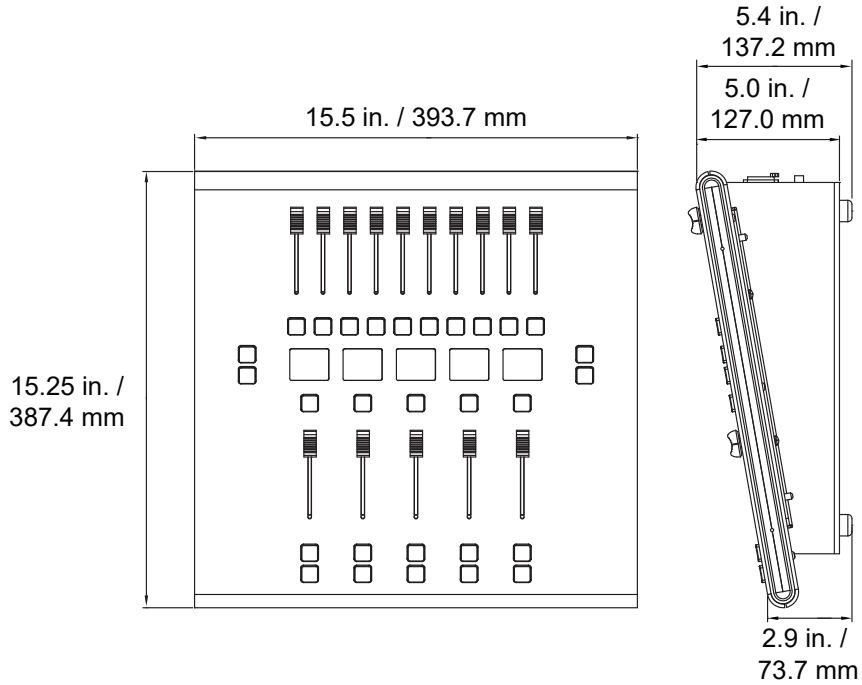
- Fifteen (15) total Motorized faders (1 row of 10, 1 row of 5)
- Ten (10) Motorized Submaster faders with backlit bump buttons (top row)
- Five (5) Motorized Playback faders with GO, Stop/Back backlit buttons (bottom row)
- Page up and down backlit buttons for independent paging
- Five (5) color LCD displays for fader identification
- USB connectivity to a NEO Lighting Control Console
- USB communication daisy chain between each wing
- Power input and output connections on each wing (power daisy chain) - powered via the console or optional power supply (1.5 meter power cable supplied with unit for console connection)
- A maximum of three wings in total can be connected to each NEO Lighting Control Console
- Kensington lock slot at back of unit (lock / lock cable by others)
- One (1) XLR port for a Console Light (console light, sold separately)

## FEATURES - SUBMASTER WING

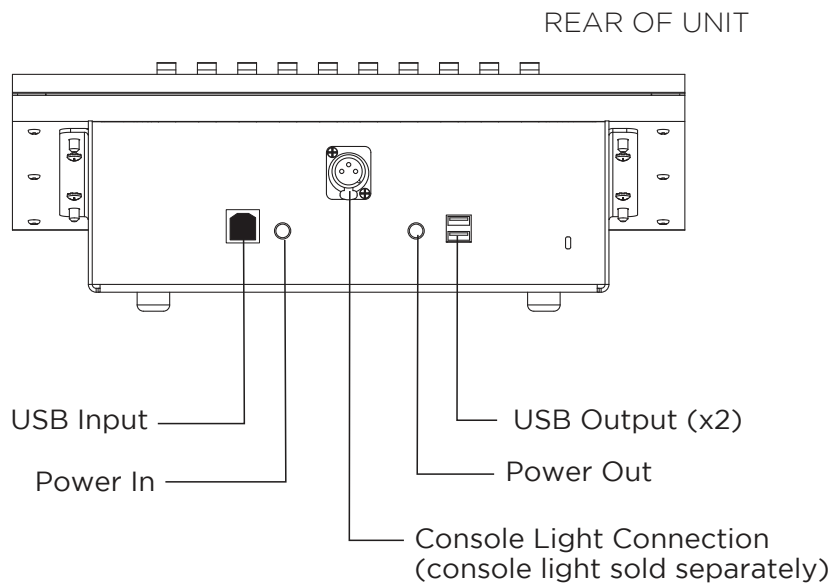
- Twenty (20) non-motorized submasters (2 rows of 10)
- Twenty (20) backlit bump buttons (one per fader)
- Page up and down backlit buttons for independent paging
- Five (5) color LCD displays for fader identification
- USB connectivity to a NEO Lighting Control Console
- USB communication daisy chain between each wing
- Power input and output connections on each wing (power daisy chain) - powered via the console or optional power supply (1.5 meter power cable supplied with unit for console connection)
- A maximum of three wings in total can be connected to each NEO Lighting Control Console
- Kensington lock slot at back of unit (lock / lock cable by others)
- One (1) XLR port for a Console Light (console light, sold separately)



# NEO PLAYBACK AND SUBMASTER WINGS



## CONNECTIONS





# NEO PLAYBACK AND SUBMASTER WINGS

## POWER

|                |       |
|----------------|-------|
| <b>Range</b>   | 12VDC |
| <b>Current</b> | 3.0A  |

## DATA CONNECTIONS

|                        |                |
|------------------------|----------------|
| <b>Accessory power</b> | Input / output |
| <b>USB 2.0 type A</b>  | 2 output       |
| <b>USB 2.0 type B</b>  | 1 input        |
| <b>3-pin XLR @12V</b>  | 1              |

## PHYSICALS

|                     |   |
|---------------------|---|
| <b>Finish</b>       | Black   |
| <b>Construction</b> | High density and impact resistant aluminum and plastics |

## ENVIRONMENT

|                              | °C                   | °F     |
|------------------------------|----------------------|--------|
| <b>Operating temperature</b> | 0-40                 | 32-104 |
| <b>Storage temperature</b>   | 0-35                 | 32-95  |
| <b>Humidity</b>              | 0-95% non-condensing |        |

## DIMENSIONS

|                  | mm                    | in                 |
|------------------|-----------------------|--------------------|
| <b>H x W x D</b> | 137.2 x 393.7 x 387.4 | 5.4 x 15.5 x 15.25 |

## WEIGHT

|                   | kg   | lb    |
|-------------------|------|-------|
| <b>Net weight</b> | 5.55 | 12.25 |

## WARRANTY & APPROBATIONS

|                             |                    |
|-----------------------------|--------------------|
| <b>Warranty</b>             | 2 years            |
| <b>Approvals / Listings</b> | cETLus, CE, C-Tick |



# NEO PLAYBACK AND SUBMASTER WINGS

| PRODUCT NAME   | ORDER CODE   |
|--|--------------|
| NEO Console Submaster Wing   | <b>91004</b> |
| NEO Console Playback Wing  | <b>91005</b> |
| ACCESSORIES  |              |
| Console Light  | <b>66219</b> |
| External Power Supply (only needed if not powering wing via the NEO console) | <b>91009</b> |
| Replacement 1.5 Meter Power Cable  | <b>91010</b> |

© 2018 Signify Holding. All rights reserved.

All trademarks are owned by Signify Holding or their respective owners. The information provided herein is subject to change, without notice. Signify does not give any representation or warranty as to the accuracy or completeness of the information included herein and shall not be liable for any action in reliance thereon. The information presented in this document is not intended as any commercial offer and does not form part of any quotation or contract, unless otherwise agreed by Signify. Data subject to change.

Ref: 91006-100-00