

NEO Playback & Submaster Wings

Introduction

Adding to our NEO family of products are the NEO Fader wings. NEO Fader wings can be used to provide additional physical fader playback and submasters, depending upon model, to your NEO lighting control console.

The interconnection between each wing and the control console is via a USB connection and can be powered either directly from your NEO console or plugged directly into a common power outlet through an optional power supply (model number 91009, sold separately).

This guide is for users to quickly connect and begin using either fader wing with a NEO console. Please read the information in this guide and retain these instructions for future reference.

Warnings and Notices



When using electrical equipment, basic safety precautions should always be followed including the following:

- a. READ AND FOLLOW ALL SAFETY INSTRUCTIONS.
- b. Do not use outdoors.
- c. Do not use near gas or electric heaters.
- d. The use of accessory equipment not recommended by the manufacturer may cause an unsafe condition.
- e. Do not use this equipment for other than intended use.
- f. Refer service to qualified personnel.

SAVE THESE INSTRUCTIONS.



WARNING: You must have access to a main circuit breaker or other power disconnect device before installing any wiring. Be sure that power is disconnected by removing fuses or turning the main circuit breaker off before installation. Installing the device with power on may expose you to dangerous voltages and damage the device. A qualified electrician must perform this installation.

WARNING: Do not open the console. There are no user serviceable parts inside. This equipment is designed to operate from the mains electrical supply and contains voltages, which, if touched, may cause death or injury. It should only be operated in accordance with the instructions provided and for the purpose of a lighting control system.

WARNING: Avoid spilling liquid on the equipment. If this should happen, switch the equipment off immediately at the mains. To reduce the risk of fire or electric shock, do not expose the equipment to rain or moisture. For indoor use only.

WARNING: Refer to National Electrical Code® and local codes for proper use specifications.

WARNING: This equipment is intended for use in accordance with the National Electric Code® and local regulations. It is also intended for installation in indoor applications only. Before any electrical work is performed, disconnect power at the circuit breaker or remove the fuse to avoid shock or damage to the control. It is recommended that a qualified electrician perform this installation.

WARNING: The devices described herein are not user-serviceable and should NOT be opened or remove any covers. Refer service to qualified personnel.

WARNING: This equipment is designed and manufactured to comply with international safety standards IEC950, UL1950, CS950 and is intended for use as part of a lighting control system. It must not be used for other purposes where there is a risk of safety to persons. The equipment contains power voltages, socket outlets will be installed near the equipment and be easily accessible.

Included Items

Each fader wing includes a USB cable (1.5 meter), power cable (1.5 meter), dust cover (not shown) and quickstart & install guide (this document). If you are missing any component, please contact your local dealer for assistance.

Product Support

Should you have any questions or require assistance with the products described in this guide, please contact your Authorized Strand Dealer or Strand technical support team at 1.214.647.7880 or 1.800.4STRAND or visit us at www.strandlighting.com.

Strand

85-6415C (10 July 2019)



Installation

The NEO Playback Wing (model 91004) and NEO Submaster Wing (model 91005) are easy to connect and set up with the NEO Lighting Control Console. Note: The connection and set up information below is the same for both models.

To connect a NEO fader wing to a NEO console:

- Step 1.** Unpack fader wing from its shipping carton to check contents. Each fader wing includes a wing dust cover, USB cable (1.5 meter), power cable (1.5 meter), and quickstart & install guide (this document). If you are missing any component, please contact your local dealer for assistance.
- Step 2.** On a flat and sturdy surface, place fader wing on either side of console. The cables should be relaxed (not under strain).
- Step 3.** Connect USB cable to console and other end to fader wing USB input as indicated in **Figure 2**.
- Step 4.** Connect power cable to rear of NEO console accessory power output connector (or optional power supply 91009, sold separately) and other end to fader wing power input connection as indicated in **Figure 2**.

 **CAUTION: Power to fader wing is only disconnected when power cable is disconnected from fader wing and console.**

- Step 5.** If purchased, connect console light (sold separately) to rear of fader wing as shown in **Figure 2**.

The fader wing is now ready to use.

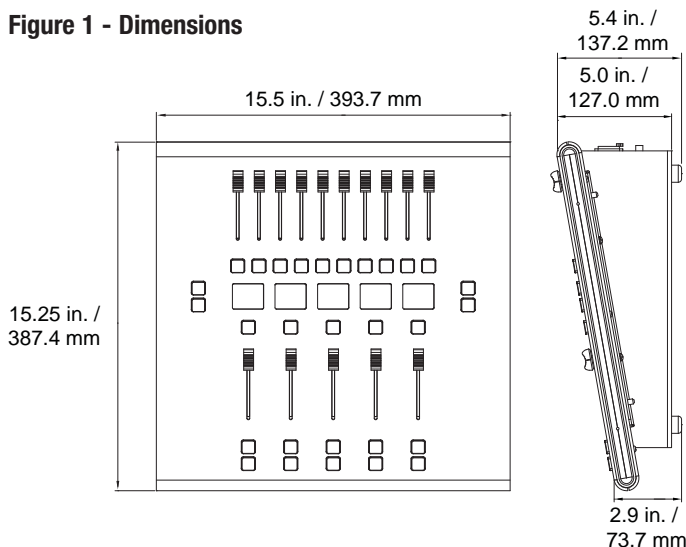
Note: A maximum of three wings in total can be connected to each NEO Lighting Control Console.

Refer to NEO Console User's Guide for operation. A copy of the User's Guide is available for download on the Strand web site at www.strandlighting.com.

Product Support

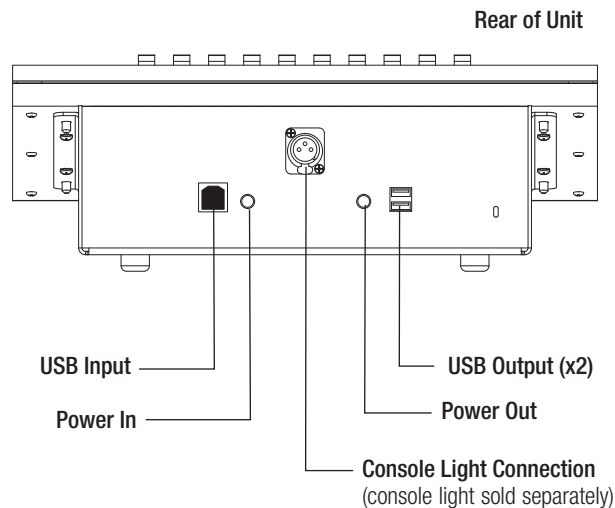
Should you have any questions or require assistance with the products described in this guide, please contact your Authorized Strand Dealer or Strand technical support team at 1.214.647.7880 or 1.800.4STRAND or visit us on the web at www.strandlighting.com.

Figure 1 - Dimensions



NOTE: NEO Playback Wing shown. Dimensions and connections are same for all models.

Figure 2 - Connections



Technical Specifications

Electrical
 Supply Voltage: 12VDC, 3 Amps (from console connection)
 Approvals: cETLus, CE, C-Tick

Mechanical
 Construction: High Density and Impact Resistant Aluminum and Plastics
 Operating Temperature: 0° to 40°C ambient (32° to 104°F)
 Humidity: 0% - 95% non-condensing
 Storage Temperature: 0° to 35°C (32° to 95°F)
 Weight: 12.25 lbs (5.55 kgs) - Wing Only (no accessories)

Connections / Ports

- 1 Accessory Power Input
- 1 Accessory Power Output
- 1 USB 2.0 Input Connector (Type B)
- 2 USB 2.0 Output Connector (Type A)
- 1 3-pin XLR port (12 Volt) for Console Light (console light sold separately)

