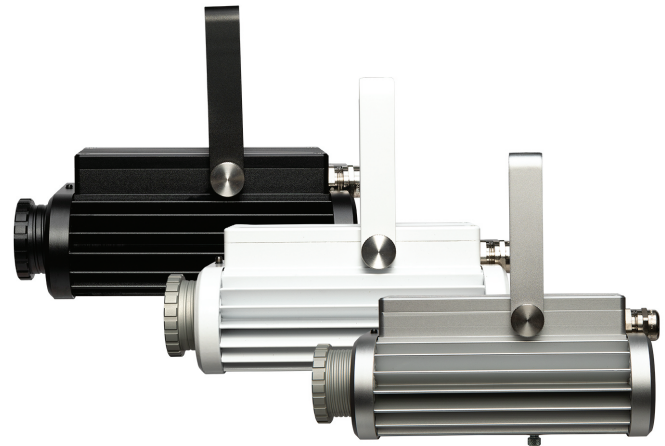


Brilliant Imaging.

Crystal clear optics allow you to project vivid images and messaging up to 40 ft. (12m) away! Using a mere 45W of power, the Image Spot LED projector packs an amazing amount of light output from a versatile and compact design.

The cool white or warm white LEDs ensure bright imaging in virtually any environment. An available filter kit allows the Image Spot to be used to illuminate subjects in museums, themed entertainment and hospitality venues.

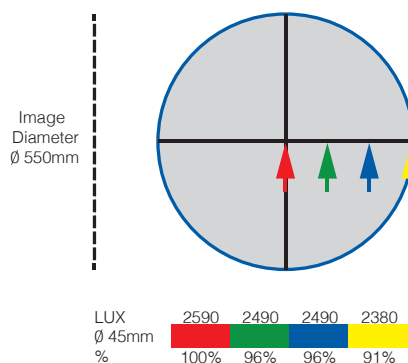
Project:	Type:
Quantity:	Location:



KEY FEATURES

- 40W LED array with 10°, 19°, 25° or 30° beam optics provide superb image uniformity and fringe-free shadows
- IP40 rating for indoor use or IP65 rating for outdoor use HT variant for high ambient temperature environments
- Accepts Rosco Image Spot Gobos and Permacolor Dichroic Glass Color Filters
- Available OPTI-FLECS filter packs for beam diffusion
- Accepts universal line voltage input allowing operation anywhere around the globe
- DMX512 compatibility provides flicker-free dimming throughout the range: 100% ~ 0%
- 0-10V, DMX, DALI & Push to DIM dimming options
- Passive cooling means operation is completely silent
- Standard Color Options: Black, White and Silver

Superior Uniformity Across Entire Field



SPECIFICATIONS

Input Voltage:	100-277VAC (V1:100-240VAC)
Power Consumption:	45 Watts at maximum output
Color Temp. Options:	5500K or 3000K or UV
CRI:	5500K Model: 80 3000K Model: 95
Output:	5500K Model: 800 lumens 3000K Model: 600 lumens
Lumen Maintenance:	50,000 hours at 45°C (LM-79-08)
Power Connection:	6.5 ft (2m) insulated standard (IP40) or hybrid data/mains cable (IP65) (Connectors not included.)
Data:	DMX512, 0-10V, DALI, Push DIM Options RJ45 Connector (IP40) In and thru, hybrid power & data cable (IP65)
DMX Addressing:	RDM functionality available for addressing
Dimensions:	Image Spot (including yoke): 7.8 in x 4.8 in x 6.8 in (198mm x 123mm x 172mm) Image Spot HT (including yoke): 9.3 in x 4.8 in x 6.8 in (236mm x 123mm x 172mm)
Weight:	Image Spot: 5.5 lbs (2.5 kg) Image Spot HT: 5.9 lbs (2.7 kg)
Operating Temp.:	Image Spot: -13° to 104° F (-25° to 40° C) Image Spot HT: -13° to 122° F (-25° to 50° C)
Humidity:	0 - 95% non-condensing
Housing:	Anodized Aluminum Extrusion
Approvals:	ETL / UL Standards #62368-1 and #60950-22 cETL / CSA C22.2 #62368-1 and #6095-22 CE IP40 Rated (indoor use) or IP65 Rated (outdoor use)

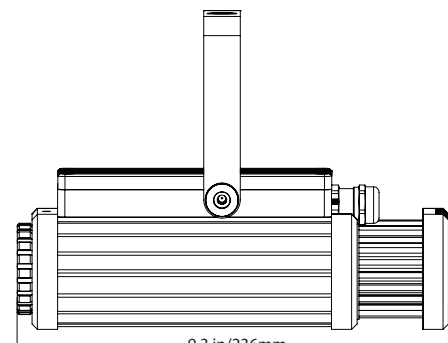
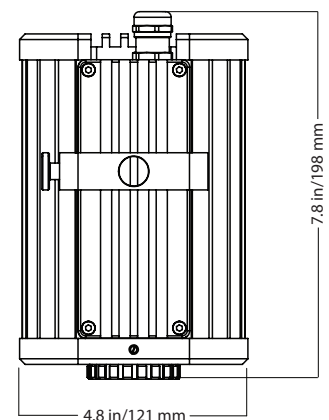
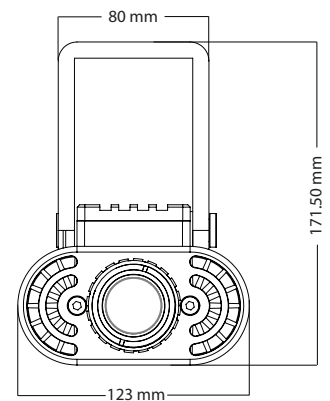
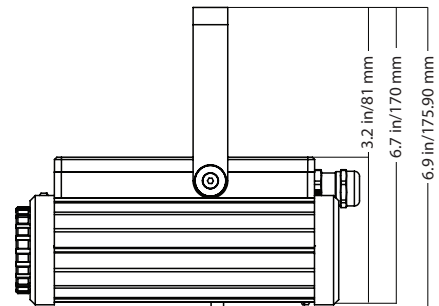


Image Spot® HT

