



# NEO COMPACT 10 PC WING



The Strand NEO Compact 10 PC Wing is a USB control surface designed as a companion to Strand NEO PC. The powerful NEO PC software gives users the full power of a premium console platform from their computer. With the addition of the NEO Compact 10 PC Wing users are provided faster, easier programming thanks to the internal 7" touchscreen, 10 user-defined faders and a 0-10 command keypad. Users can quickly manipulate palettes and groups, while using NEO PC to select fixtures, access effects, and manipulate cue lists. The small footprint and built-in DMX connectivity of the NEO PC Wing gives operators a full tactile lighting control surface that can be used anywhere. The Strand NEO Compact 10 PC Wing is the perfect companion for any project where NEO PC is deployed.





# NEO COMPACT 10 PC WING

## FEATURES

- **10 fader USB control wing** - portable, small-format control accessory that easily connects to a PC running NEO PC
- **Expanded connectivity** - provides additional connectivity separate from PC, 1 DMX in, 2 DMX out and USB
- **True 0-10 button command keypad** - quickly program advanced shows using NEO PC
- **Internal touchscreen** - intuitive touch-based selection of palettes and groups
- **Tiered DMX universe licensing for NEO PC, expandable to unlimited universes** - Don't worry about restrictive limitations. Add more universes as your design changes
- **Strand Advantage** - use Strand®, Vari-Lite®, or Color Kinetics® luminaires without using your licensed NEO PC DMX universes

## STRAND ADVANTAGE DMX

Every NEO lighting control console benefits from the Strand Advantage DMX model. This allows you to patch any Strand®, Vari-Lite®, Color Kinetics® or legacy Selecon and Showline branded luminaires without consuming the console's licensed DMX outputs. With Strand Advantage DMX, you can control thousands of luminaires at no additional cost or output license limitations.

## LIMITED WARRANTY

Every Strand product is backed by a minimum 2-year limited warranty against manufacturing defects and workmanship. Refer to the Strand Limited Warranty Card available at [www.strandlighting.com/global/support/warranty](http://www.strandlighting.com/global/support/warranty) for more details.



# NEO COMPACT 10 PC WING

## POWER

<b>AC voltage</b>	100-240 V AC, 50-60 Hz
<b>Typical power and current</b>	60 W, 1.4 A

## CONNECTIONS

<b>DC power in</b>	Locking barrel socket, 12 V DC, 4 A
<b>Data in</b>	1x Neutrik 5-pin locking XLR
<b>Data out</b>	2x Neutrik 5-pin locking XLR
<b>Serial data, rear panel</b>	1x USB 3.0, Type B
<b>Serial data, front panel</b>	2x USB 2.0, Type A
<b>Security lock</b>	K-Slot

## PROTOCOLS

<b>Connectivity</b>	DMX-512A RDM Streaming ACN (sACN)* Art-Net* Strand ShowNet* Color Kinetics KiNet* Pathport Protocol* <small>*Requires network adapter support from PC</small>
---------------------	--

## USER INTERFACES

<b>Touchscreens</b>	1x 7 in. internal
<b>Faders</b>	10x non-motorized, user-defined, 10 pages (100 total)
<b>Encoders</b>	1x Level wheel, 4x attribute encoders
<b>PC interface</b>	Requires a USB 3.0 connection to a PC running licensed NEO PC installation

## PHYSICALS

<b>Housing</b>	High-impact flame-retardant thermo-plastic
<b>Color</b>	Dark grey
<b>Ingress protection rating</b>	IP20
<b>Dust cover</b>	Polished polyurethane, black
<b>Optional rack mount kit</b>	Aluminium, black

## ENVIRONMENT

	°C	°F
<b>Operating temperature</b>	0-40	32-104
<b>Maximum surface temperature, steady state, at 25° C ambient</b>	63	145.4



# NEO COMPACT 10 PC WING

<b>Cooling</b>	Convection cooled
<b>Relative humidity</b>	0-95% non-condensing
<b>Total calculated heat dissipation</b>	163.8 BTU/hr

<b>DIMENSIONS (L x W x D)</b>	<b>mm</b>	<b>in.</b>
<b>Console only</b>	486 x 302 x 91	19.1 x 11.9 x 3.6
<b>Packed dimensions</b>	610 x 350 x 152	24 x 13.8 x 6

<b>WEIGHT</b>	<b>kg</b>	<b>lb</b>
<b>Console only</b>	2.06	4.55
<b>Packed weight</b>	4.07	8.97

<b>INSTALLATION</b>	
<b>Mounting</b>	Standing or rack-mounted
<b>Clearance</b>	76.2 mm (3 in.) left and right
<b>Rack unit</b>	7U (without cable connections)

<b>APPROBATIONS</b>	
<b>Approvals / Listings</b>	CSA C22.2 No. 62368-1 EN 62368-0 UL 62368-1

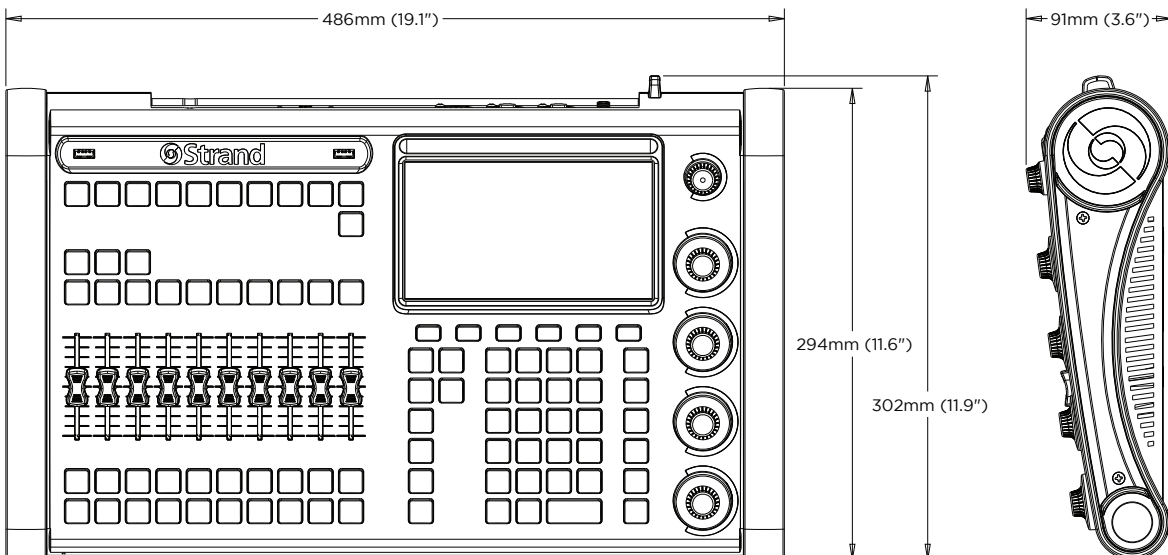
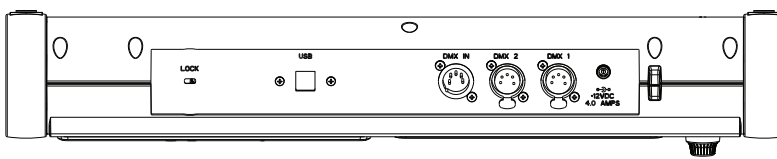


<b>INCLUDED ITEMS</b>
Power supply, 12 V DC, 5 A, 5' (1.5 m) lead
Power input cable, EU, IEC C13, CEE 7/4, 6 ft. (1.83 m)
Power input cable, US, IEC C13, NEMA 5-15P, 6 ft. (1.83 m)
Power input cable, UK, IEC C13, BS-1363-1, 6 ft. (1.83 m)
USB 3.0 cable, Type A, Type B, 6.6 ft. (2 m)
Dust cover



# NEO COMPACT 10 PC WING

PRODUCT NAME	ORDER CODE
NEO Compact 10 PC Wing	54104-101
PERIPHERAL EQUIPMENT - CABLES	
DMX512 control cable 25' (A5F to A5M)	95090
ACCESSORIES	
NEO PC Lighting Control, 1 Universe	91012
NEO 4 Universe License	54101-001
NEO 10 Universe License	54101-002
NEO Unlimited Universe License	54101-003
NEO PC USB to DMX Cable	91013
NEO Compact 10 Replacement Power Supply, 12V, 5A	54104-901
NEO Compact 10 Replacement Dust Cover	54104-911



©2020 Signify Holding. All rights reserved.

All trademarks are owned by Signify Holding or their respective owners. The information provided herein is subject to change, without notice. Signify does not give any representation or warranty as to the accuracy or completeness of the information included herein and shall not be liable for any action in reliance thereon. The information presented in this document is not intended as any commercial offer and does not form part of any quotation or contract, unless otherwise agreed by Signify. Final detailed specifications to be published when the product is commercially released.

Ref: 54104-101-100-00