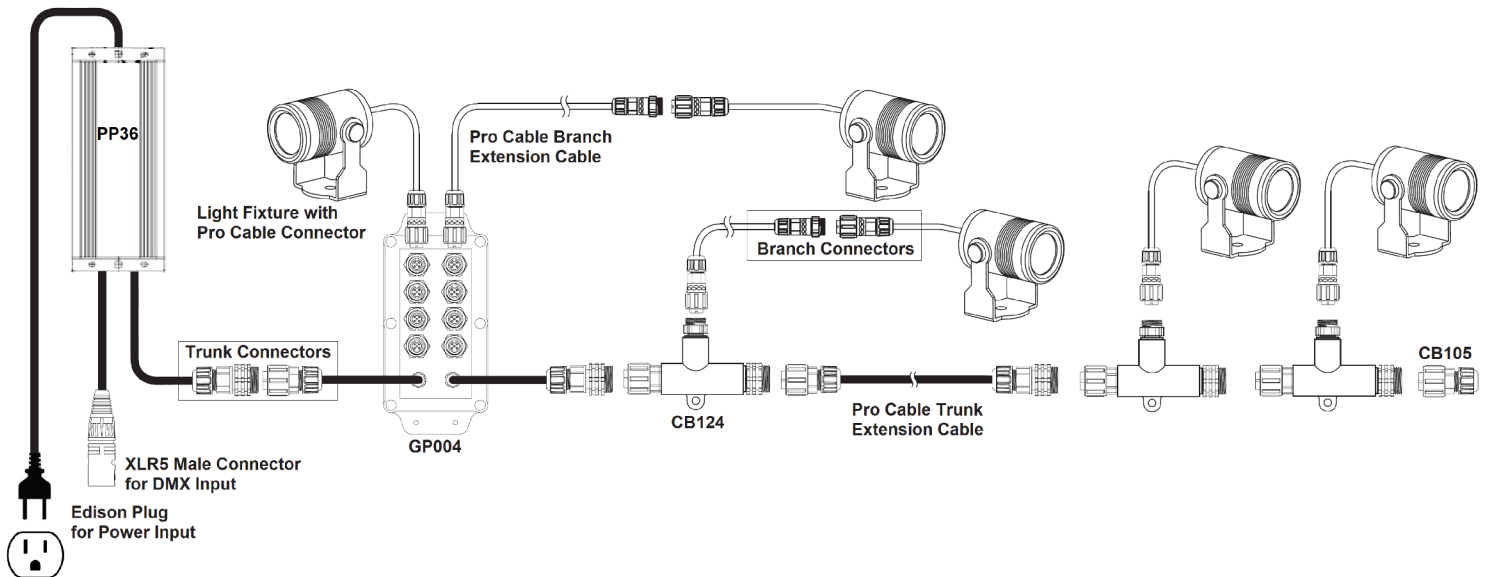


Streamline your design with the Gantom Pro Cable system, an integrated low voltage power and data distribution solution. The modular Pro Cable system is suitable for everything from small, temporary, indoor installations to large, permanent, outdoor applications. Featuring keyed, twist-locking, waterproof connectors, the Pro Cable system makes any Gantom lighting installation come together quickly and securely.

Each Pro Cable port, whether from the T connector or distribution box, provides an active DMX signal and power to an individual Gantom fixture. Both daisy chain and homerun topologies can be used interchangeably to give designers maximum flexibility for most applications.

Date
Project
Fixture
Comments



## Features

- ▶ Low voltage power and DMX data combined into one cable
- ▶ Accepts 12-24VDC (24VDC recommended)
- ▶ Provides individual actively repeated DMX signal to each light fixture
- ▶ Indoor or outdoor use
- ▶ Fully modular cable system allowing star or daisy chain configurations
- ▶ Plug-and-play with PP36 power supply

### Trunk Cables and Branch Cables

The Trunk Cable in a daisy chain system must carry significantly more electrical current than the Branch Cables which run from the T Connector or Distribution Box to each fixture. For this reason, the Trunk Cable must be larger than the Branch Cable. Branch Cable is much thinner than Trunk Cable because it only needs to carry enough current for a single light fixture. The Trunk Cable also has a larger locking connector than the Branch Cable, this helps to prevent an installer from incorrectly wiring the system together which could result in a Branch Cable receiving excessive electrical load.

### Trunk Cable Specifications

#### Input

DC Voltage	12-24VDC
Rated Current	7A TOTAL MAX

#### Environment

Working Temperature	-20~+55°C
Working Environment	IP65, Indoor or Outdoor use
Storage Temperature, Humidity	-20~+50°C, 10~99% RH

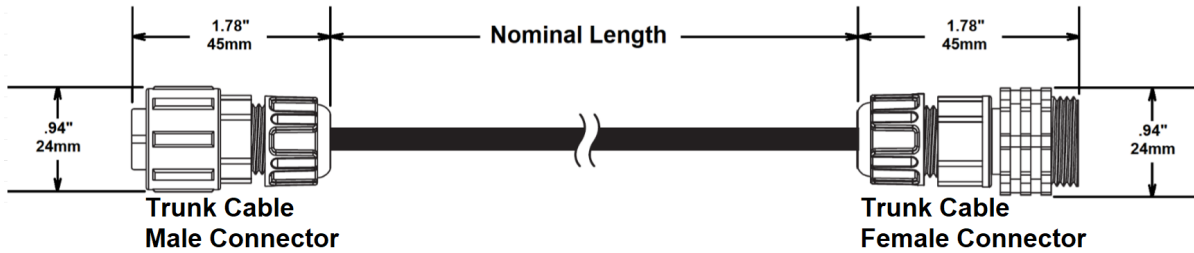
#### Wire Specifications

Wire Color	Wire Gauge	Pinout
Red	16 AWG	Power VDC +
Blue	16 AWG	Power GND
Green	22 AWG	DMX +
Yellow	22 AWG	DMX -
Shield	Shield	DMX COM

#### Warranty

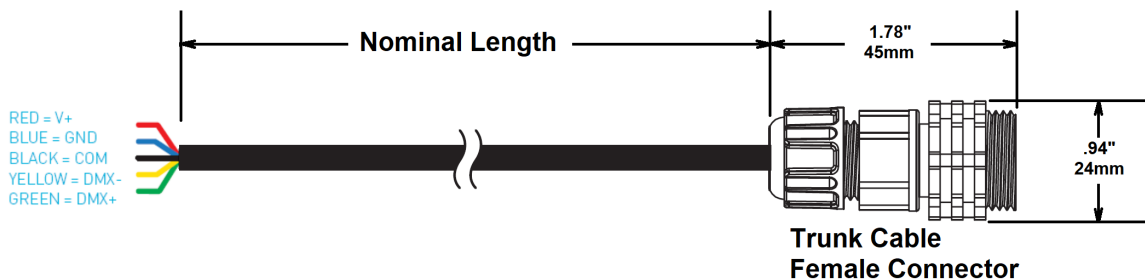
Warranty Period	2 years from date of purchase
-----------------	-------------------------------

### Trunk Extension Cables



Part Number	Description
CB129	1m Trunk Extension Cable
CB120	2m Trunk Extension Cable
CB121	5m Trunk Extension Cable
CB122	15m Trunk Extension Cable

### Trunk Bare Wire Adapter Cables



Part Number	Description
CB137	2m Trunk Bare Wire Adapter Cable

### Branch Cable Specifications

#### Input

DC Voltage	12-24VDC
Rated Current	1A TOTAL MAX

#### Environment

Working Temperature	-20~+55°C
Working Environment	IP65, Indoor or Outdoor use
Storage Temperature, Humidity	-20~+50°C, 10~99% RH

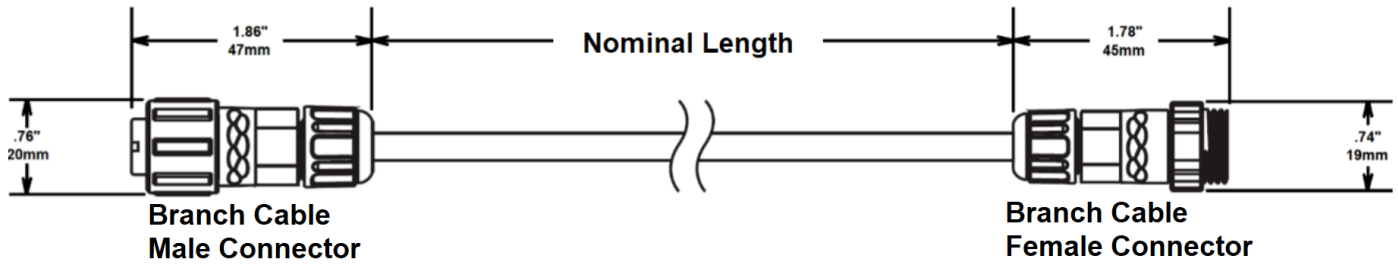
#### Wire Specifications

Wire Color	Wire Gauge	Pinout
Red	22 AWG	Power VDC +
Blue	22 AWG	Power GND
Green	22 AWG	DMX +
Yellow	22 AWG	DMX -
Black	22 AWG	DMX COM

#### Warranty

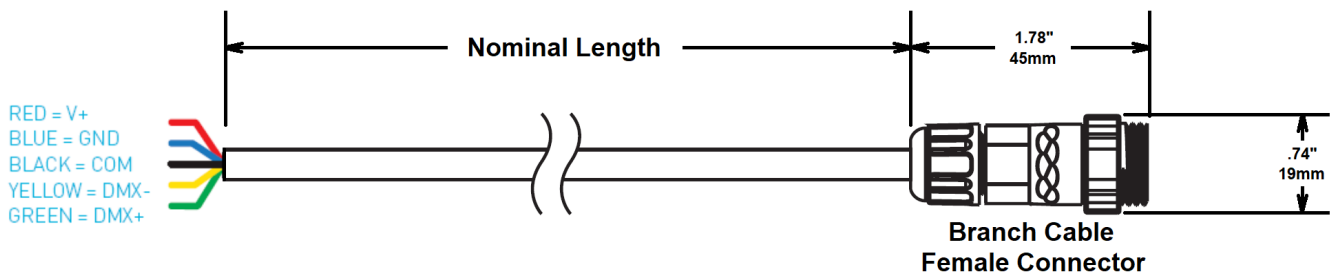
Warranty Period	2 years from date of purchase
-----------------	-------------------------------

### Branch Extension Cables



Part Number	Description
CB139	1m Branch Extension Cable
CB130	2m Branch Extension Cable
CB131	5m Branch Extension Cable

### Branch Bare Wire Adapter Cable

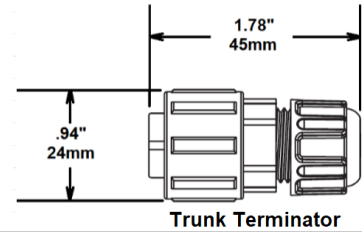


Part Number	Description
CB141	15cm Branch Bare Wire Adapter Cable
CB138	2m Branch Bare Wire Adapter Cable
CB132	5m Branch Bare Wire Adapter Cable
CB133	15m Branch Bare Wire Adapter Cable
CB134	30m Branch Bare Wire Adapter Cable

## Additional Pro Cable Components

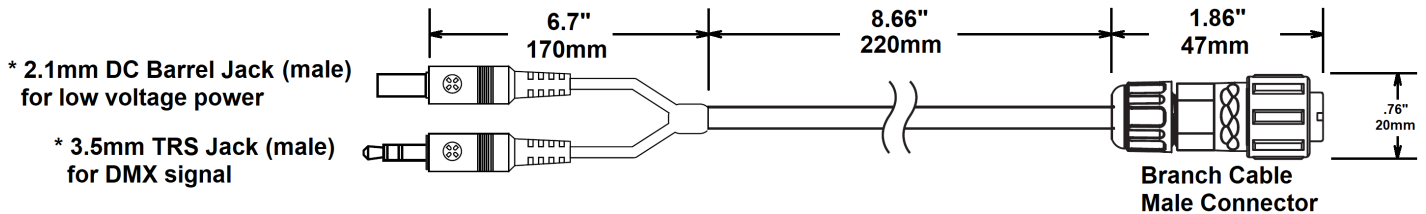
### Trunk Terminator

The Trunk Terminator allows you to cap off the end of a trunk cable line and includes an internal DMX termination resistor. One terminator is required for every trunk cable system. The Trunk Terminator is male, and connects to trunk female connectors.



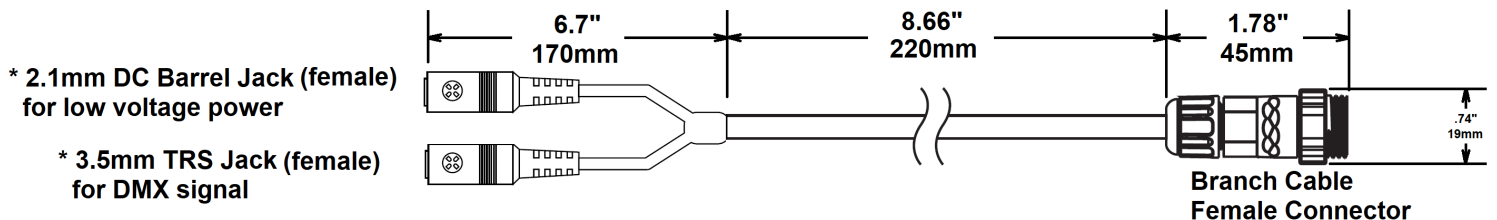
### Go Cable Fixture to Pro Cable Adapter Cable

This cable allows you to connect a Gantom fixture with the old "Go Cable" connectors to a Pro Cable system. This should only be necessary if you are adapting old fixtures to a new cabling system.



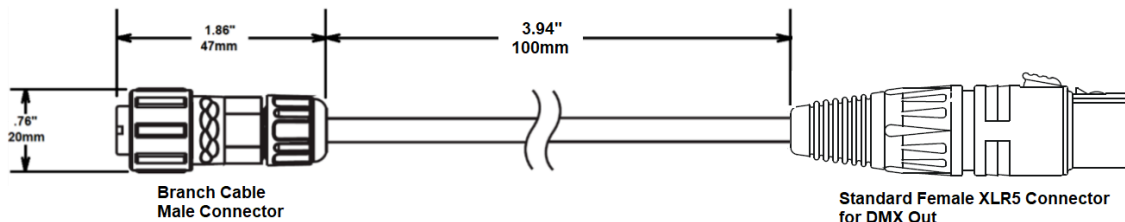
### Gantom Pro Cable Programming Adapter Cable

This cable allows you to connect a Pro Cable fixture to an Android or iOS device running our free DMX Programmer app for configuration. You will need a 3.5mm TRS cable (headphone cable) to connect from the device running the app to the programming adapter cable. For full instructions, please see the User Guide for the light fixture you are programming.



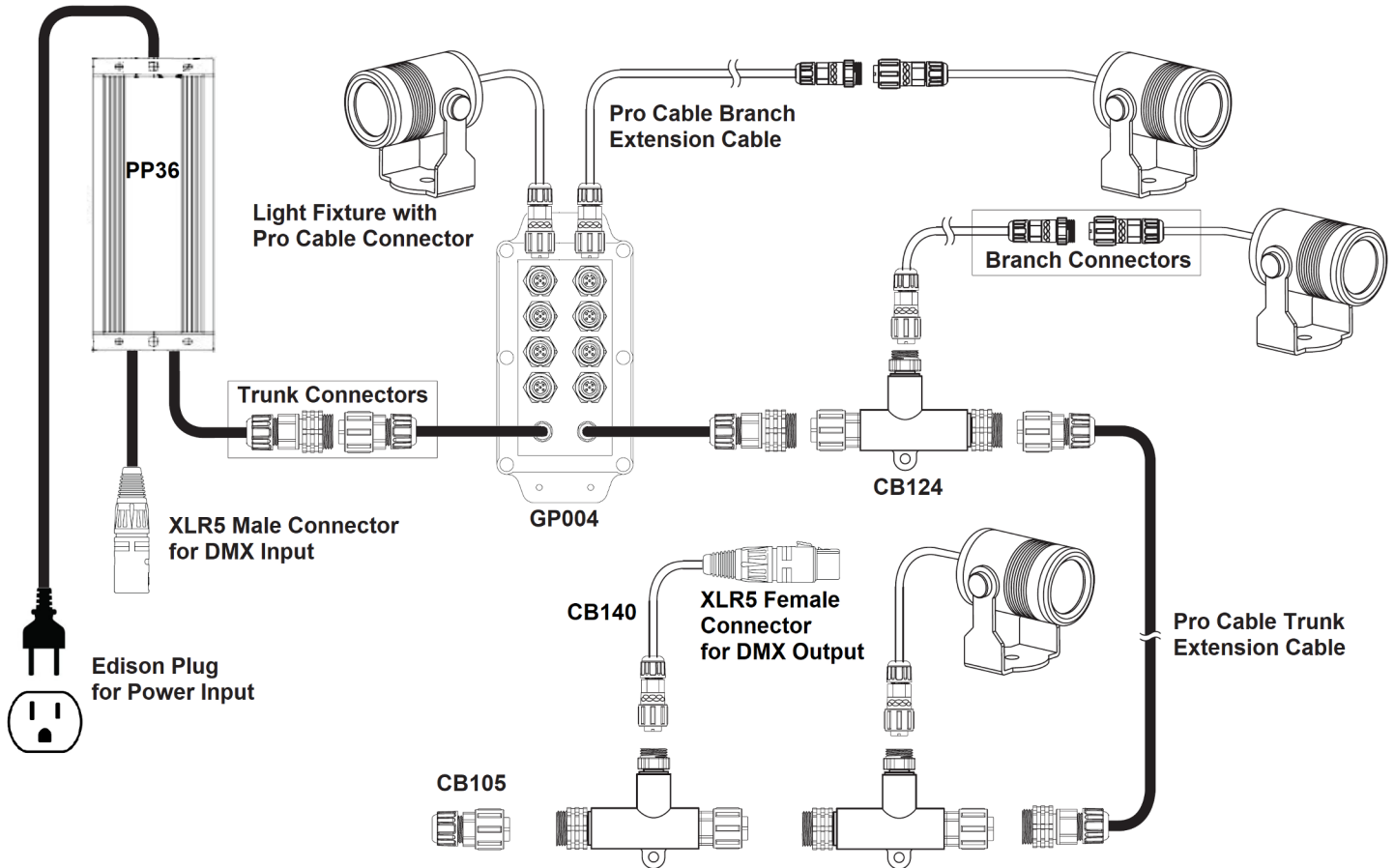
### Pro Cable Branch to XLR Adapter

This cable allows you to connect any DMX fixture to a Gantom Pro Cable System. This is perfect for integrating non-Gantom light fixtures into a Pro Cable system. This cable will provide an independently repeated DMX signal which is compatible with standard DMX fixtures (RDM not supported). Pinout is Pin 1: COM, Pin 2: DMX-, Pin 3: DMX+, Pin 4: NC, Pin 5: NC. Power is not wired.



Part Number	Description
CB105	Trunk Terminator
CB106	Go Cable Fixture to Pro Cable Adapter
CB107	Pro Cable Programming Adapter
CB140	Pro Cable Branch to XLR Adapter

## Plug and Play - Daisy Chain Configuration



Part Number	Description	Quantity
GP004	G8 Distribution Box - Trunk Cable Plug-and-Play	
CB124	T Connector with Integrated Repeater	
CB105	Trunk Terminator	
CB147	Set of 8x Pro Cable Branch Connector Cover Caps	

Part Number	Description	Quantity
PP36	PowerPak Plug and Play 24VDC Power Supply	
CB137	2m Trunk Bare Wire Adapter Cable	

Part Number	Description	Quantity
CB129	1m Trunk Extension Cable	
CB120	2m Trunk Extension Cable	
CB121	5m Trunk Extension Cable	
CB122	15m Trunk Extension Cable	

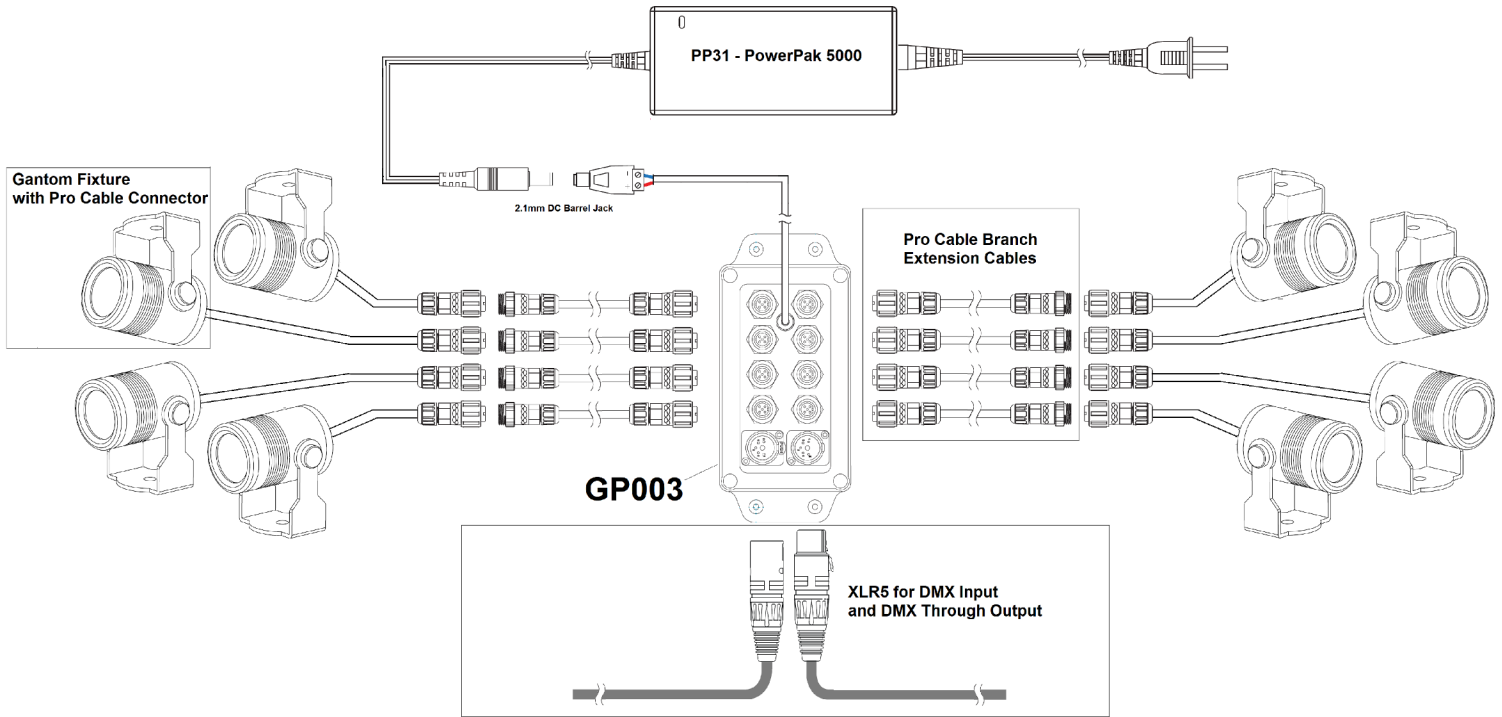
Part Number	Description	Quantity
CB139	1m Branch Extension Cable	
CB130	2m Branch Extension Cable	
CB131	5m Branch Extension Cable	
CB140	Pro Cable Branch to XLR5 Output Adapter	

### Wiring Limitations

The maximum length of trunk cable in the system and the maximum number of fixtures in the system are related. Fewer fixtures in the system will allow for more total Trunk cable length. The maximum length for a chain of Branch cables is 30m (98ft).

Total Wattage of Fixtures in 24VDC System	Maximum Length of Trunk Cable in 24VDC System
160W	30m (98ft)
120W	45m (147ft)
80W	60m (196ft)
40W	150m (492ft)

### Plug and Play - Single Box Configuration



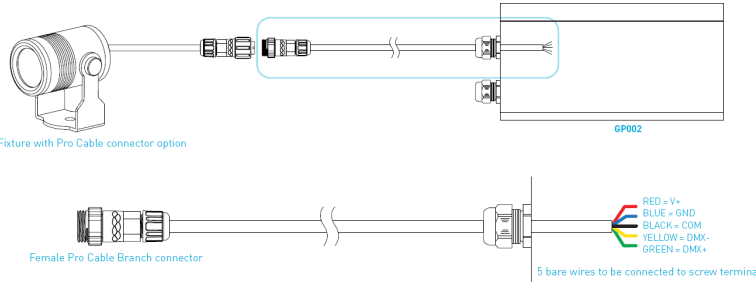
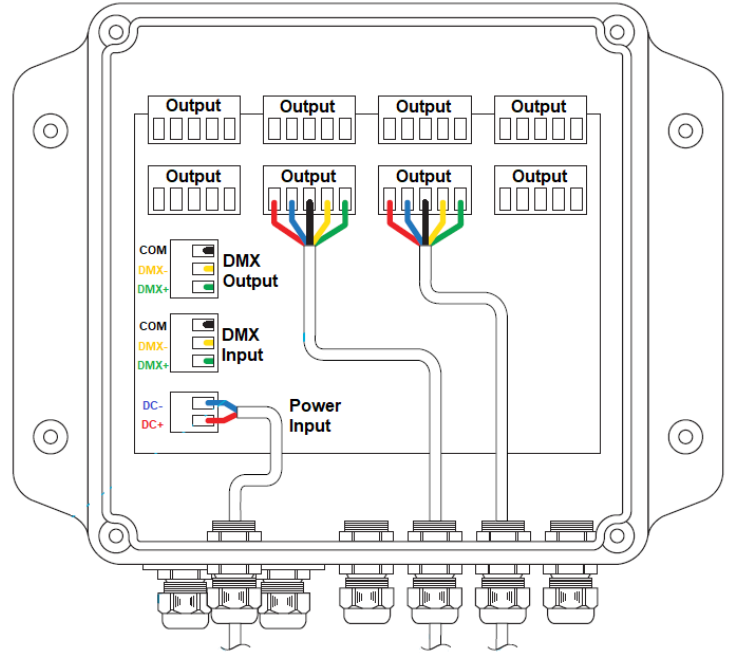
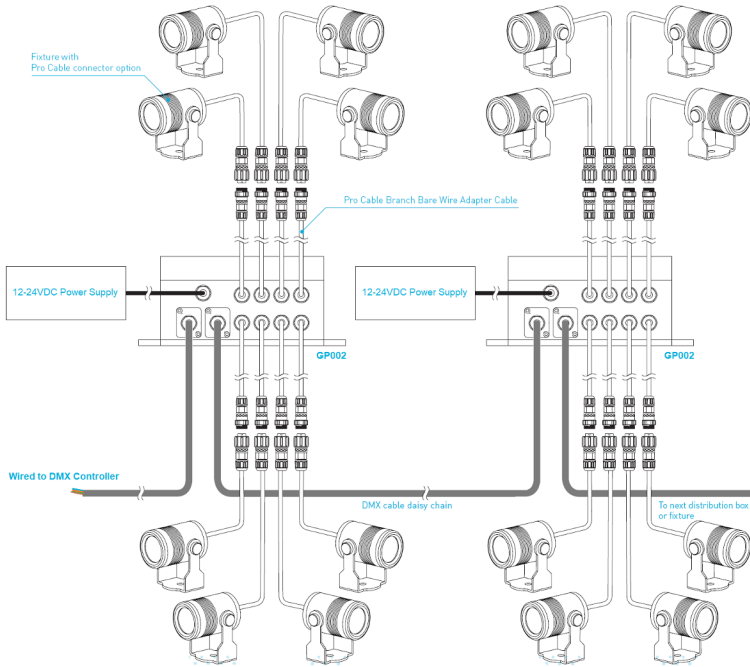
Part Number	Description	Quantity
GP003	G8 Distribution Box - Trunk Cable Plug-and-Play	
PP31	PowerPak 5000 - 12V 60W - Indoor Power Supply	
CB139	1m Branch Extension Cable	
CB130	2m Branch Extension Cable	
CB131	5m Branch Extension Cable	

### Wiring Limitations

The GP003 allows quick and easy integration into existing DMX systems because it can be powered with a wall plug and controlled with standard 5pin XLR cables for DMX. Each GP003 distribution box should have its own PP31 Power Supply. The GP003 provides an independently repeated DMX signal to each Branch output port. Pro Cable Branch Extension Cables can be chained together to a maximum length of 30m (98ft).

### Field Install Configuration

The GP002 model of the distribution box allows for easy field installation of many fixtures. For this version of the distribution box, all connections for power input, DMX signal input, DMX signal thru output, and the outputs for each light fixture enter the distribution box through cable glands and are connected to the printed circuit board with screw terminal connections. A Pro Cable Branch Bare Wire Adapter Cable runs from each fixture back to the distribution box. The cable enters the distribution box through a cable retention gland and is then trimmed to the required length. Once trimmed, each of the 5 wires (2 for power, 3 for DMX signal) are connected to the board using a Phoenix-style screw terminal connector.



Part Number	Description	Quantity
CB141	15cm Branch Bare Wire Adapter Cable	
CB138	2m Branch Bare Wire Adapter Cable	
CB132	5m Branch Bare Wire Adapter Cable	
CB133	15m Branch Bare Wire Adapter Cable	
CB134	30m Branch Bare Wire Adapter Cable	

Part Number	Description	Quantity
GP002	G8 Distribution Box - Indoor/Outdoor Field Install	
PP31	PowerPak 5000 - 12V 60W - Indoor Power Supply	
PP33	PowerPak Pro - 12V 60W - Outdoor Power Supply	
PP35	PowerPak Max - 24V 200W - Outdoor Power Supply	

### Wiring Limitations

The maximum length for a Branch cable is 30m (98ft). We recommend using CAT5 cables for wiring DMX to the distribution boxes. We recommend using no more than 15ft of 16AWG cable from the power supply to the power input on the distribution box.