



Engineering Ltd

# Data Sheet

## Doughty Fifty Clamp



A pressure die cast clamp.

Holds captive an M10 or M12 Nut or Bolt

Supplied with M10 x 25 Fixing Kit

### Pt No:

T58410 - Powder Painted Satin Black

**Tube Diameter:** 38 - 51mm

### Materials:

Body - LM24 Aluminium

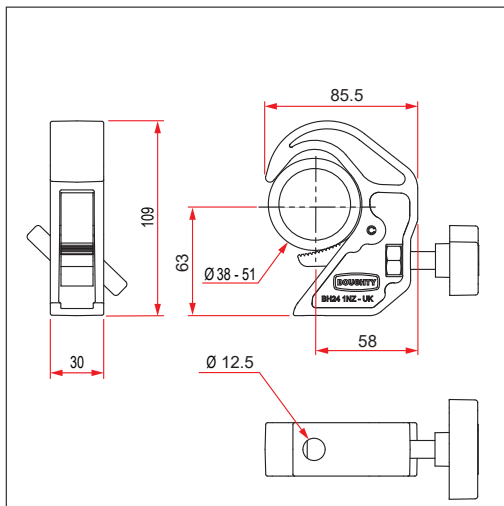
Trigger- AW 6082 T6 Aluminium

Roll Pins - Stainless Steel

**Max Tightening Torque:** Hand Tight Only

**WLL:** 50Kg Vertical Load

**Factor of Safety:** 5:1



Doughty Engineering Ltd

Crow Arch Lane, Ringwood, Hampshire BH24 1NZ, UK  
+44 (0) 1425 478961 - sales@doughty-engineering.co.uk  
www.doughty-engineering.co.uk