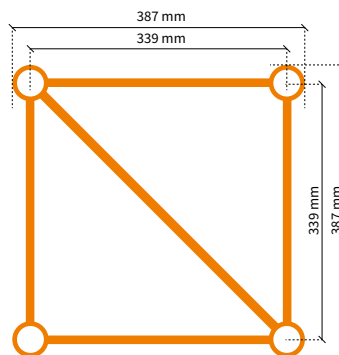




48.3 x 3 mm

# Length Square

**M39S**

## Square - M39S

Code	Length
138001	21 cm
138002	25 cm
138004	50 cm
138005	81 cm
138006	100 cm
138008	200 cm
138010	300 cm
138012	400 cm

6.9 Kg/m

 ((RFID))  
READY

M

P.100

ALU/BLACK

## Load table M39S

Span	CPL	Deflection	2 x load	Deflection	3 x load	Deflection	4 x load	Deflection	UDL	Deflection
m	kg	mm	kg	mm	kg	mm	kg	mm	kg/m	mm
2.0	2512.6	3	1256.3	3	837.5	3	628.1	3	1256.3	3
4.0	1726.7	10	1227.7	13	833.4	12	625.0	13	625.0	13
6.0	1244.2	23	858.9	30	681.0	28	534.7	30	414.6	29
8.0	967.3	41	680.2	53	518.5	49	412.2	53	279.4	52
10.0	786.3	65	560.1	83	415.9	77	333.7	83	176.6	81
12.0	658.1	93	473.4	119	344.8	110	278.6	119	120.7	116
14.0	561.7	127	407.5	162	292.3	150	237.4	162	87.0	158
16.0	486.3	166	355.3	211	251.6	196	205.3	211	65.2	207
20.0	374.3	259	277.2	330	192.2	307	157.9	330	39.5	323

## Cantilever load

Span	1 x Load	Deflection	UDL	Deflection
m	kg	mm	kg/m	mm
0.5	1260.9	0	2518.8	0
1.0	1259.4	1	1256.3	1
1.5	1107.4	3	835.4	2
2.0	861.1	8	625.0	4
2.5	721.3	16	498.8	8
3.0	619.5	29	365.4	13
3.5	541.9	47	270.9	18
4.0	480.8	71	212.0	24

## Multiple supported span

Span	CPL	Deflection	2 x Load	Deflection	UDL	Deflection
m	kg	mm	kg	mm	kg/m	mm
2.0	1825.1	0	935.5	0	1003.8	0
4.0	1813.8	4	923.8	3	498.8	2
6.0	1477.6	10	825.5	9	330.5	8
8.0	1154.3	19	635.7	17	204.7	15
10.0	954.6	30	527.5	27	134.0	25
12.0	808.2	44	447.7	40	95.5	36
14.0	695.7	60	386.1	55	70.9	50
16.0	606.0	79	336.8	71	54.4	66
20.0	470.3	119	262.0	108	34.1	112

Find complete loading tables on [SIXTY82.nl](http://SIXTY82.nl)

All loading data is based on calculations per EN-1999-1-1 and the following assumptions:

- Static loads only.
- Spans supported or suspended at both ends.
- Triangle trusses solely used apex-up, apex-down.
- 2 chords truss to be placed upright, supported from top chord and loaded from bottom chord.
- Truss spans can be constructed of elements of different length.

- Interaction between bending moment and shear force considered.
- Self-weight of truss is already considered.
- Assembled truss systems need an individual structural calculation. Please contact SIXTY82 or a structural engineer.
- Read the manual before use.
- Higher loading can be allowed depending on the truss configuration.