

COMPACT FRESNEL LIGHT

Bi-Color LED Light with integrated Zoom

With zoom capability and a professional fresnel lens, the new CFL joins the BB&S Compact Beamlight Family

BB&S

LIGHTING PEOPLE

Made by Lighting People
for Lighting People

CFL

BB&S Compact Fresnel Light

The Compact Fresnel Light (CFL) is a new type of LED for studio, stage and architectural lighting. With a 5.5" footprint, these versatile LED powerhouses draw just 40Watts yet produce up to 2900-lumen output at 96TLCI (Bicolor). (Tunable from 2700 to 5600 Kelvin)

CFL outputs a hard-shadow rendering beam that fades from 100% at center to 50% at the edges, so it is good for mixing and overlapping with other lights while eliminating blinding glare.

Integrated Zoom

CFL has a smart ring-controlled focus system zooming from 12° to 52° that is manually adjustable by turning the ring on the fixture. It is powerful enough to be used as key, fill or backlight on positions typically from 3 to 6 meter distances in any newsroom, on set or in architectural applications when a compact punch light is needed.

Small & Cost-effective

CFL is small & cost-effective. Each fixture offers the identical 1.6 kg/3.5-lbs weight and dimensions of (175mm/ 6.5" long, 145mm/ 5.7" diameter), allowing quick repositioning within the same grid brackets or clamps as other CFLs. Due to its small size the CFL fits anywhere. The BB&S curved Fresnel lens ensures an even field distribution alongside excellent shadow rendering as a true Fresnel and efficient cutting with optional magnetic 360 degree rotatable barndoors.

Completely Silent

The BB&S engineers designed the CFL to run silent due to an effective heat dissipation rear section that eliminates a cooling fan and thereby produces no audible noise on set.



BB&S CFL SPECIFICATIONS

POWER

- Lamphead—1050 mA at 36 V, 41W maximum draw
4-Pin XLR Male Power In (2m Cable)
- With 4-Way Controller (Controls 2x CFL)
100-270V 50/60 Hz
175W maximum draw
- With optional manual Driver/Dimmer: 12-14.4V at 3.5 amps or 110-240 AC Power Supply

CONTROL

- Manual operation is only with the CBL Bi-Color Driver/Dimmer for use only with Bi-Color A/C supply or D-tap for battery operation
- 4-Way Controller with DMX 512/RDM with strobe and 8/16 bit dimming from 0 to 100%

WEIGHT & DIMENSIONS

Weight: 1,6kg/3,5-lbs

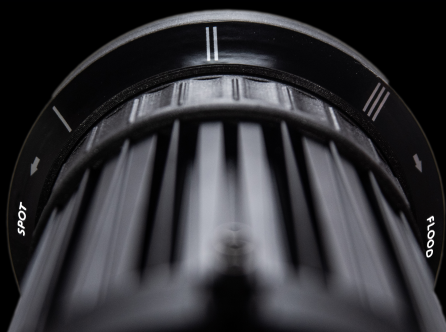
Length: 165mm/6.5"

Diameter: 145mm/5.7"

Temperature Range:

Ambient operation from

-20° to 40°C/-4° to 104° F



CFL - SPOT/FLOOD Lable

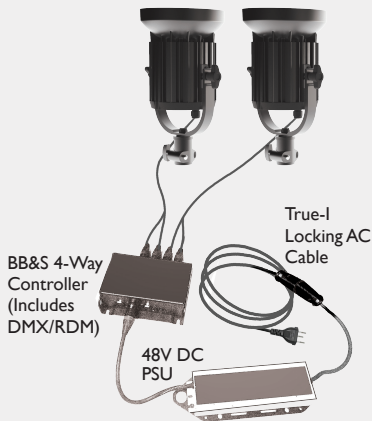
Brothers-Sons.dk



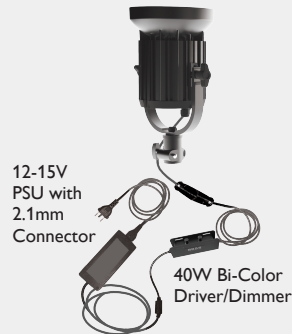
CFL

POWER OPTIONS & ACCESORIES

BB&S 4-WAY CONTROLLER BI-COLOR
Individually Controllable on DMX/RDM
or via Push-Button Display



POWER SUPPLY
Architecture/Individual Use



STANDARD BATTERY
14.4V DC Operation



BBS-2851 CBL-1 Bi-Color Pelicase



BB&S CFL

OPTIONS

- BBS-2841 CBL/CFL Magnetic Filter Ring rotates 360°
- BBS-2843 CBL/CFL Magnetic barndoor rotates 360°
- BBS-2842 CBL/CFL Magnetic Top Hat
- BBS-2845 Bi-color manual Driver/Dimmer including D tap to 4-pin XLR female cable
- BBS-2851 CBL/CFL Bi-color Pelicase DMX/RDM controller for 4 Bi-color heads (8 channels) supplied including PowerCon True 1 locking AC 2 meter cable plus USB for powering wireless
- BBS-2857 CBL/CFL Prismatic Ecliptic Diffuser 10 x 20°
- BBS-2858 CBL/CFL Prismatic Ecliptic Diffuser 10 x 40°
- BBS-2859 CBL/CFL Prismatic Ecliptic Diffuser 10 x 60°
- BBS-2848 LEE - 251 Quarter White Diffuser
- BBS-2853 LEE - 253 Hampshire Frost Diffuser
- BBS-2859 LEE - 450 3/8 White Diffuser
- BBS-2835 Filter Kit including 3x LEE Diffusers & 3x Prismatic Elliptic filters.
- BBS-3737 Safety wire 5 kilos 850mm

CFL safety instructions

We recommend using the safety holes on the unit and barndoor to attach safety wires.



COMPACT FRESNEL LIGHT

Bi-Color LED Light with integrated Zoom
Incl. Track Mount & Led Driver



BB&S

LIGHTING PEOPLE

BB&S CFL including Track Mount & LED Drivers

BB&S CFL including Track mount & LED Driver

BB&S Track Lighting provides a flexible power and data distribution. The Compact Fresnel Light is available mounted with a track adaptor for DMX controlled dimming or for Casambi BLE-mesh controlled dimming. Our Track Fixtures are ready to be mounted directly in a 110-230V 3-Phase Track.

Casambi - No Single Point of Failure

The Casambi solution is based on Bluetooth Low Energy, the state-of-the-art wireless technology. On top of Bluetooth Low Energy, the Casambi technology provides a mesh network where all the intelligence of the system is replicated in every node and, in such a way, creates a system with no single point of failure. Casambi offers a big variety of possibilities for a user to interact with the lighting depending on the users individual requirements.

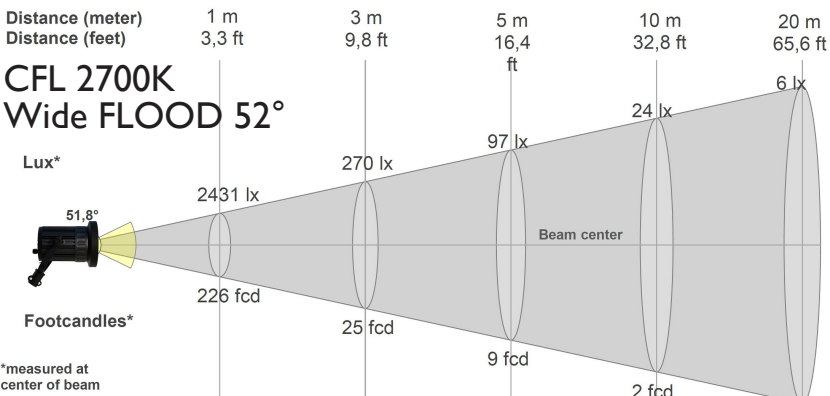
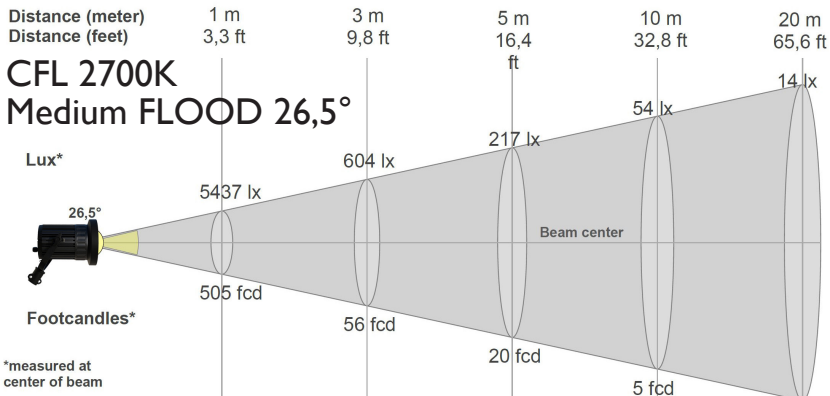
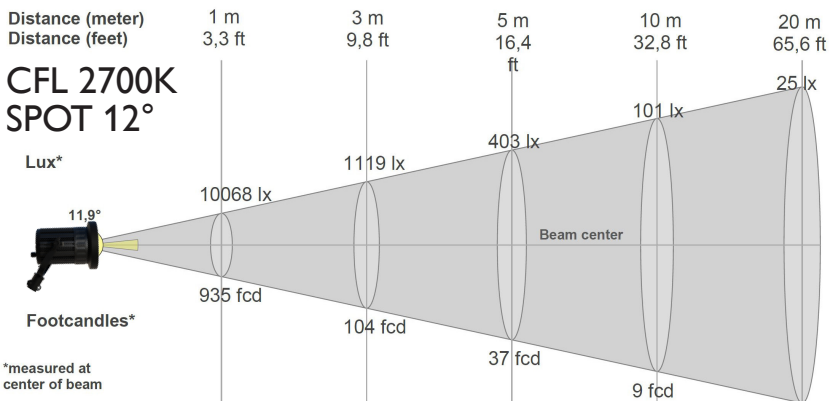
Read More on: www.casambi.com



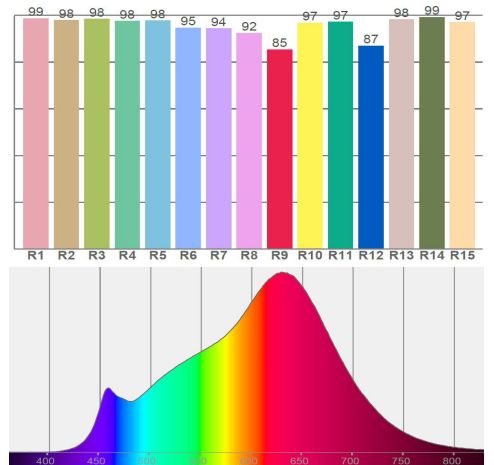
B&S Track Lights installed at GB NEWS



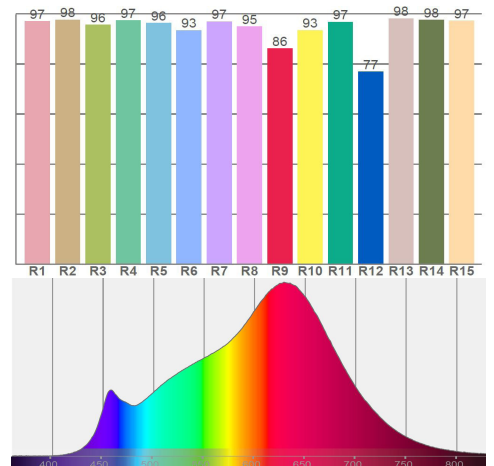
Compact Fresnel Light Photometrics 2700K



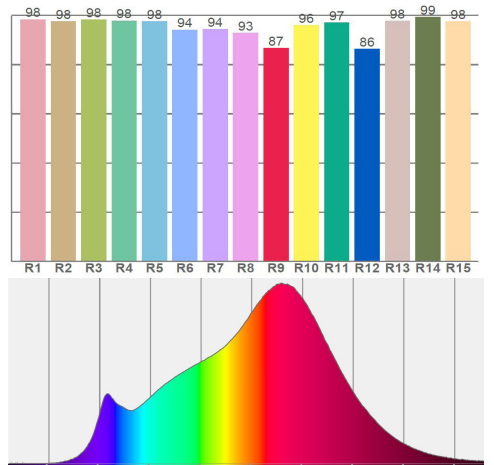
CRI: 96,5 - TLCI: 96



CRI: 96,2 - TLCI: 98



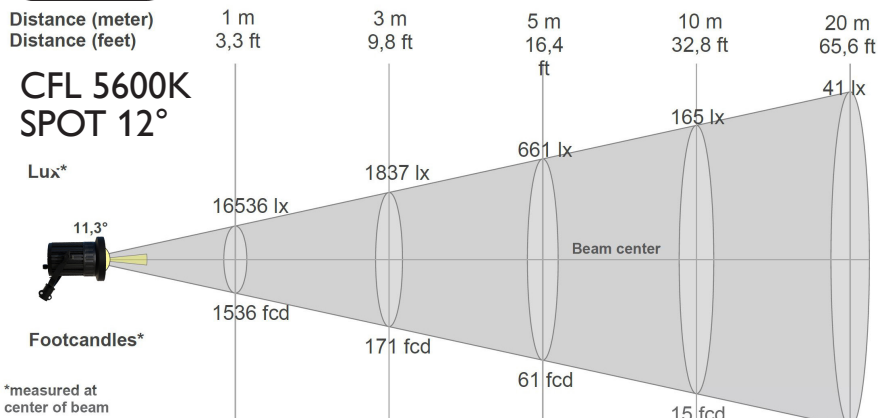
CRI: 96,3 - TLCI: 96



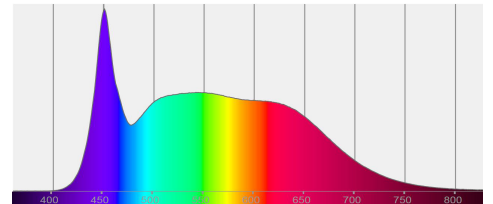
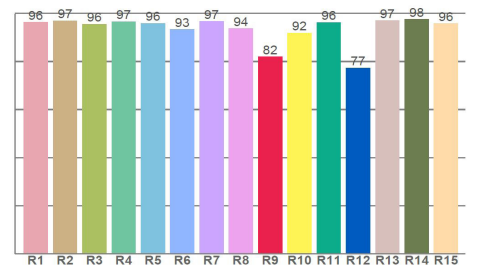


CFL

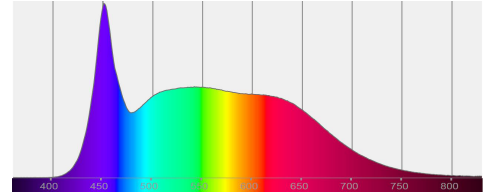
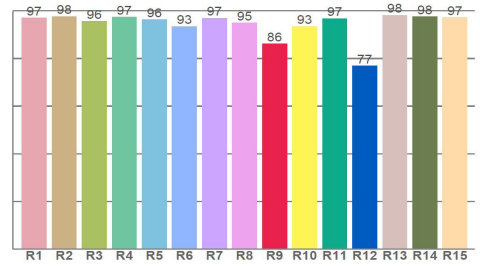
Compact Fresnel Light Photometrics 5600K



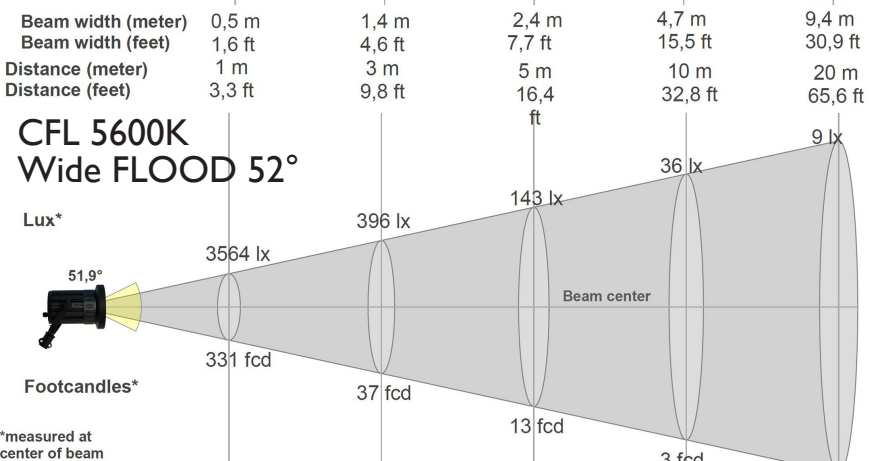
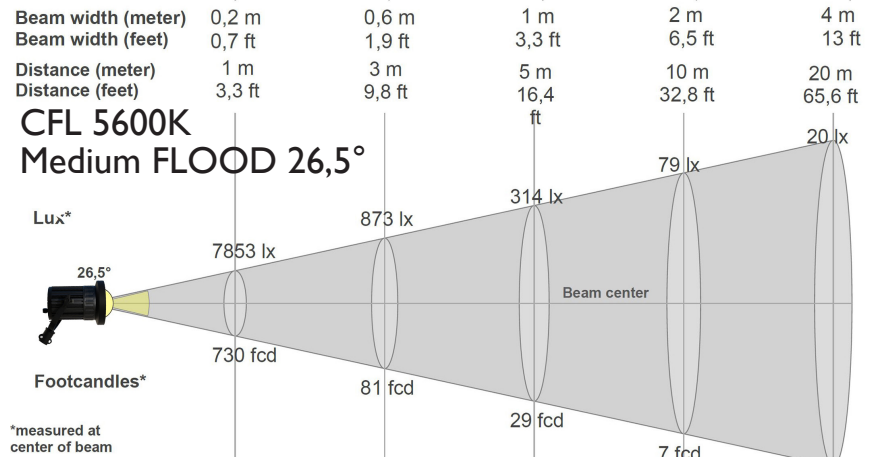
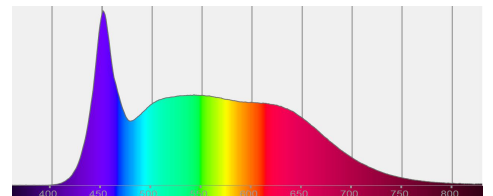
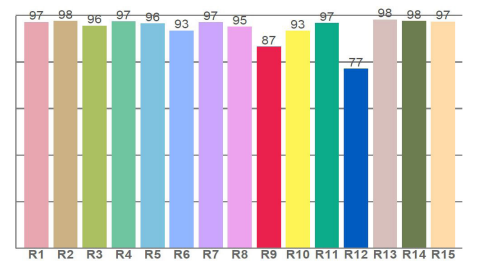
CRI: 95,6 - TLCI: 98



CRI: 96,2 - TLCI: 98



CRI: 94,6 - TLCI: 96



ORDER INFO - BB&S Compact Fresnel Light

BB&S Compact Fresnel Light (2m Cable, 4-Pin XLR)

Model: CFL 2700K-5600K, Black - BBS-2921
 Model: CFL 2700K-5600K, White - BBS-2921W

Power Options

BB&S 4-Way Controller - BBS-3593
 Bi-Color 4-Head Controller in Flightcase - BBS-2851
 CBL Bi-Color Manual Dimmer - BBS-2845
 PSU for Bi-Color Manual Dimmer - BBS-2846

4-pin XLR Extension Cables & Splits

2,5 Meter 3-Pin Extension with Split - BBS-3604
 5,0 Meter 3-Pin Extension with Split - BBS-3605
 7,5 Meter 3-Pin Extension with Split - BBS-3606



Available in Black or White



BB&S CFL Accessories

BB&S CBL/CFL Magnetic Barndoor - BBS-2843
 BB&S CBL/CFL Magnetic Tophat - BBS-2842
 BB&S CBL/CFL Magnetic Filter Ring - BBS-2837
 BB&S CBL/CFL Filter Set - BBS-2835
 Filter Set Includes:
 LEE - 251 Quarter White Diffuser - BBS-2848
 LEE - 253 Hampshire Frost Diffuser - BBS-2853
 LEE - 450 3/8 White Diffuser - BBS-2855
 Prismatic Ecliptic Diffuser 10x20° - BBS-2857
 Prismatic Ecliptic Diffuser 10x40° - BBS-2858
 Prismatic Ecliptic Diffuser 10x60° - BBS-2859



BB&S CFL incl. Track Mount & LED Driver

EU 230V

Model: BB&S CFL - Driver: DMX - Color: Black - BBS-2924
 Model: BB&S CFL - Driver: Casambi - Color: Black - BBS-2923
 Model: BB&S CFL - Driver: DALI - Color: Black - BBS-2922

Model: BB&S CFL - Driver: DMX - Color: White - BBS-2924W
 Model: BB&S CFL - Driver: Casambi - Color: White - BBS-2923W
 Model: BB&S CFL - Driver: DALI - Color: White - BBS-2922W

US 110V

Model: BB&S CFL - Driver: DMX - Color: Black - BBS-2924US
 Model: BB&S CFL - Driver: Casambi - Color: Black - BBS-2923US
 Model: BB&S CFL - Driver: DALI - Color: Black - BBS-2922US

Model: BB&S CFL - Driver: DMX - Color: White - BBS-2924WUS
 Model: BB&S CFL - Driver: Casambi - Color: White - BBS-2923WUS
 Model: BB&S CFL - Driver: DALI - Color: White - BBS-2922WUS

